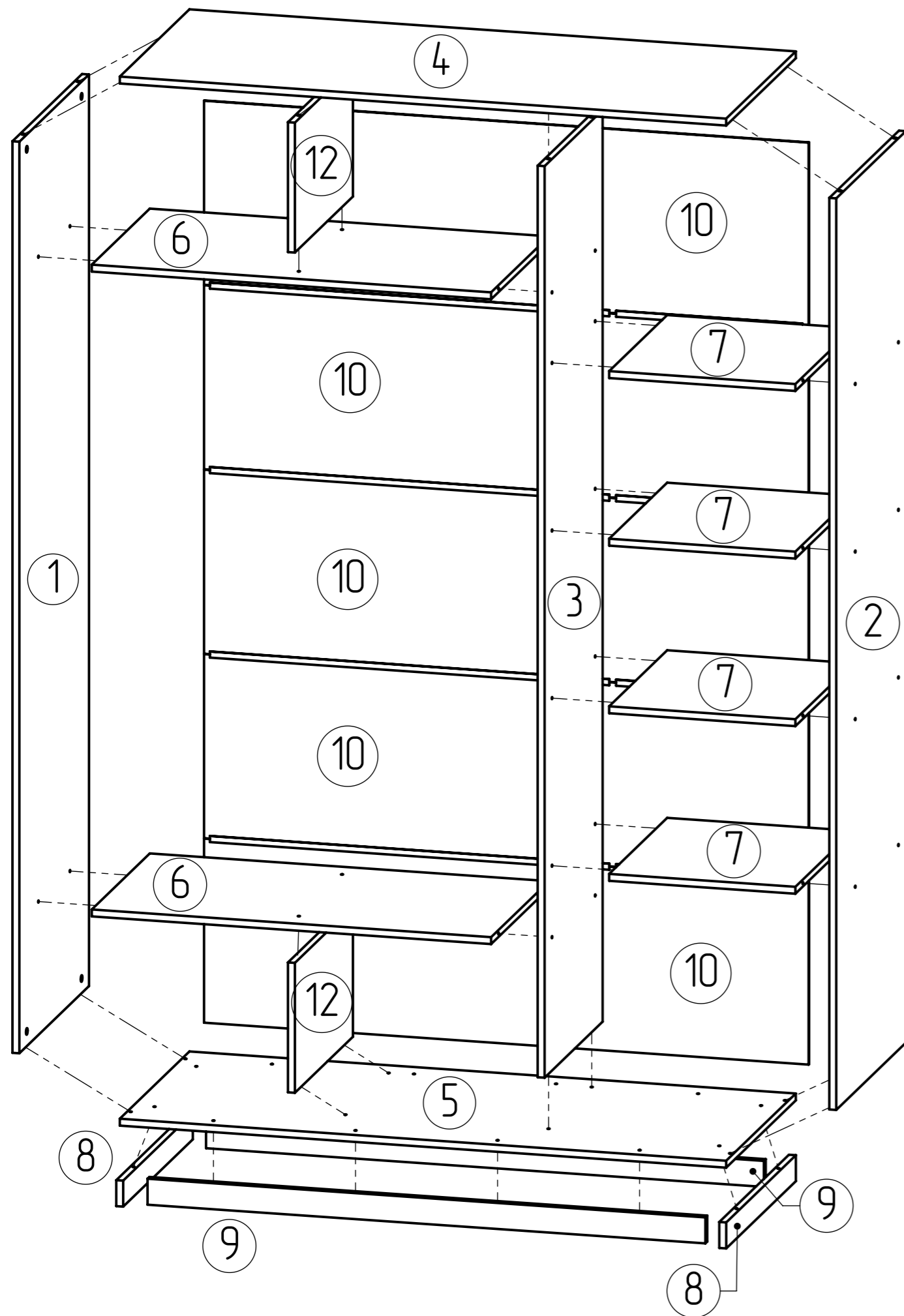


GR-W18012

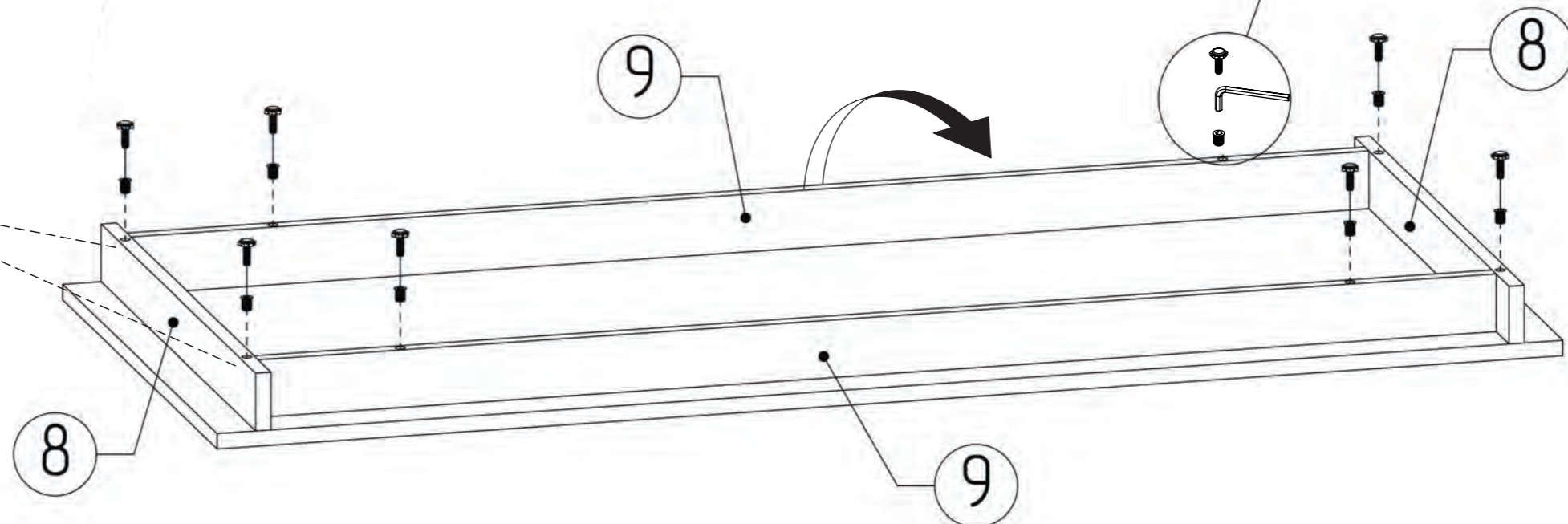
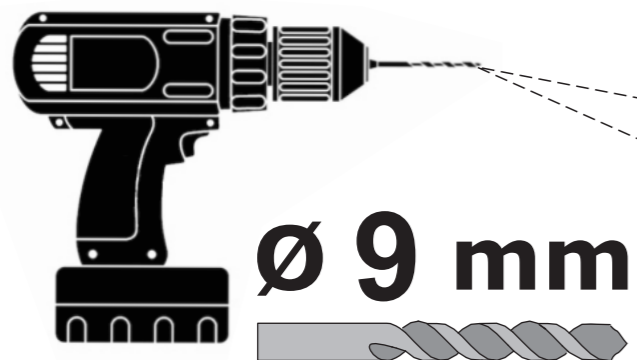
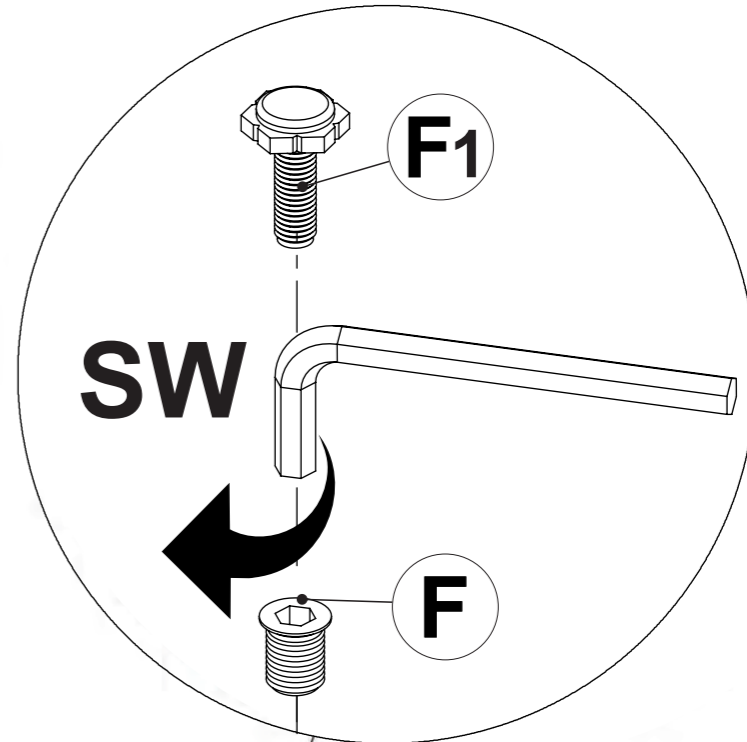
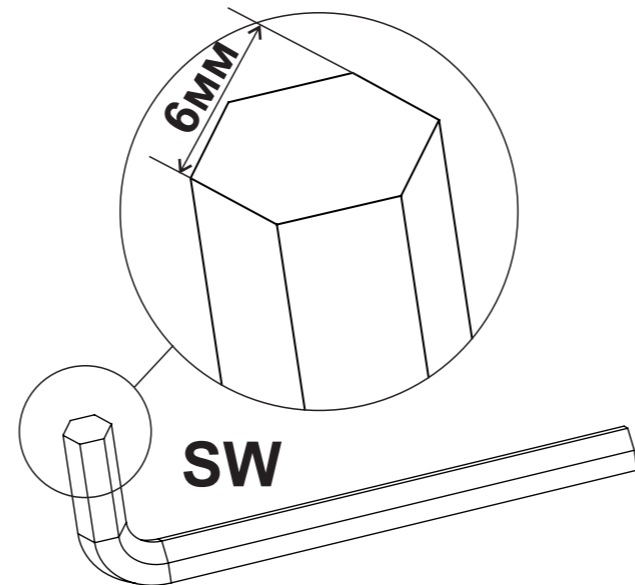
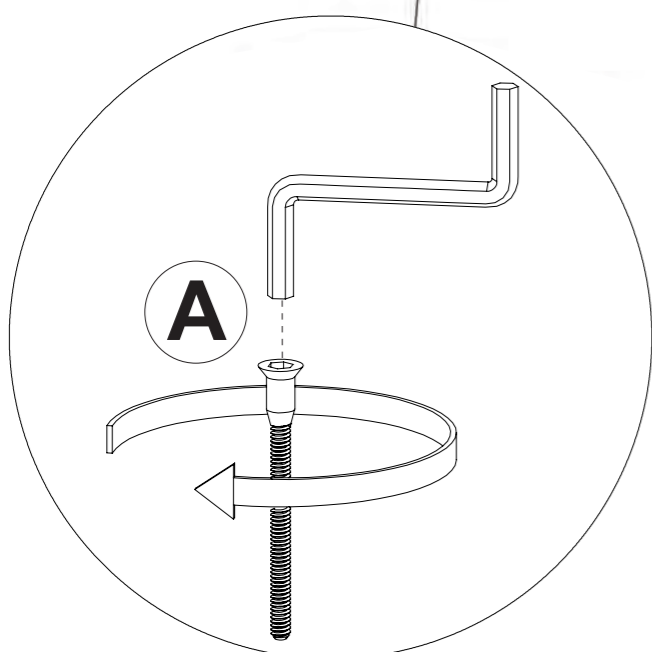
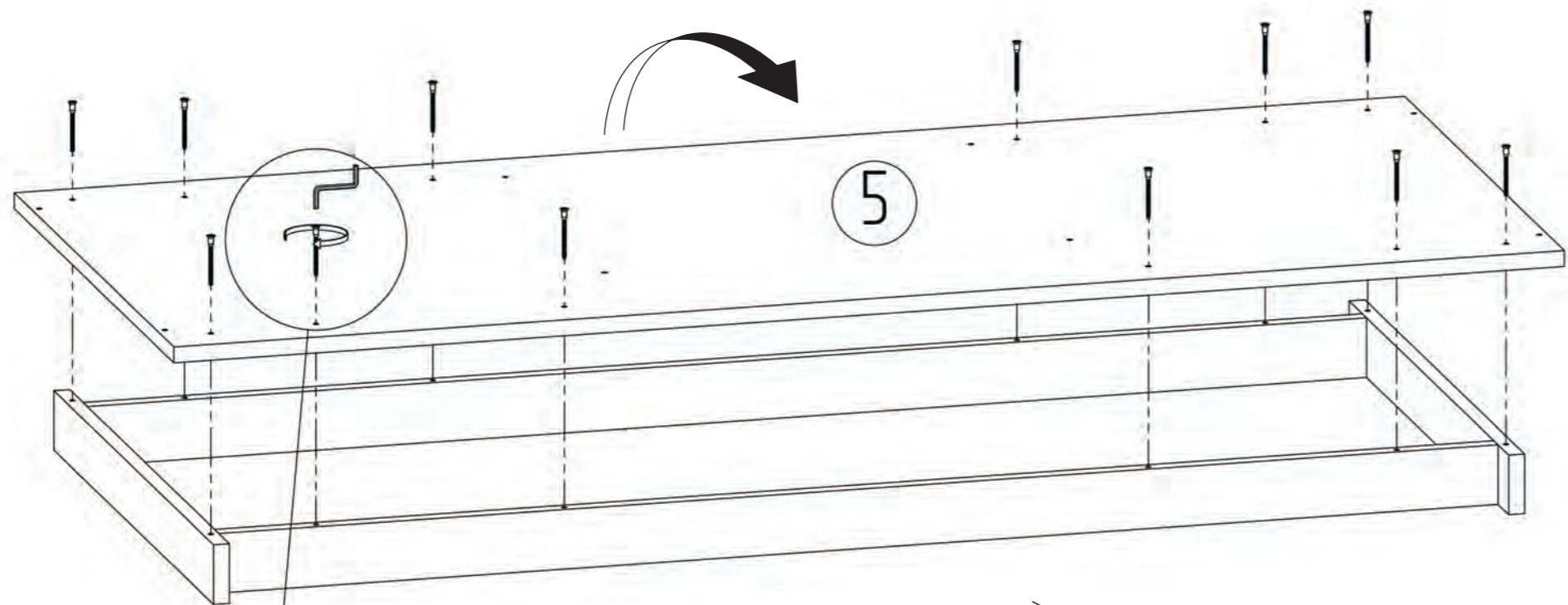


220x60x180

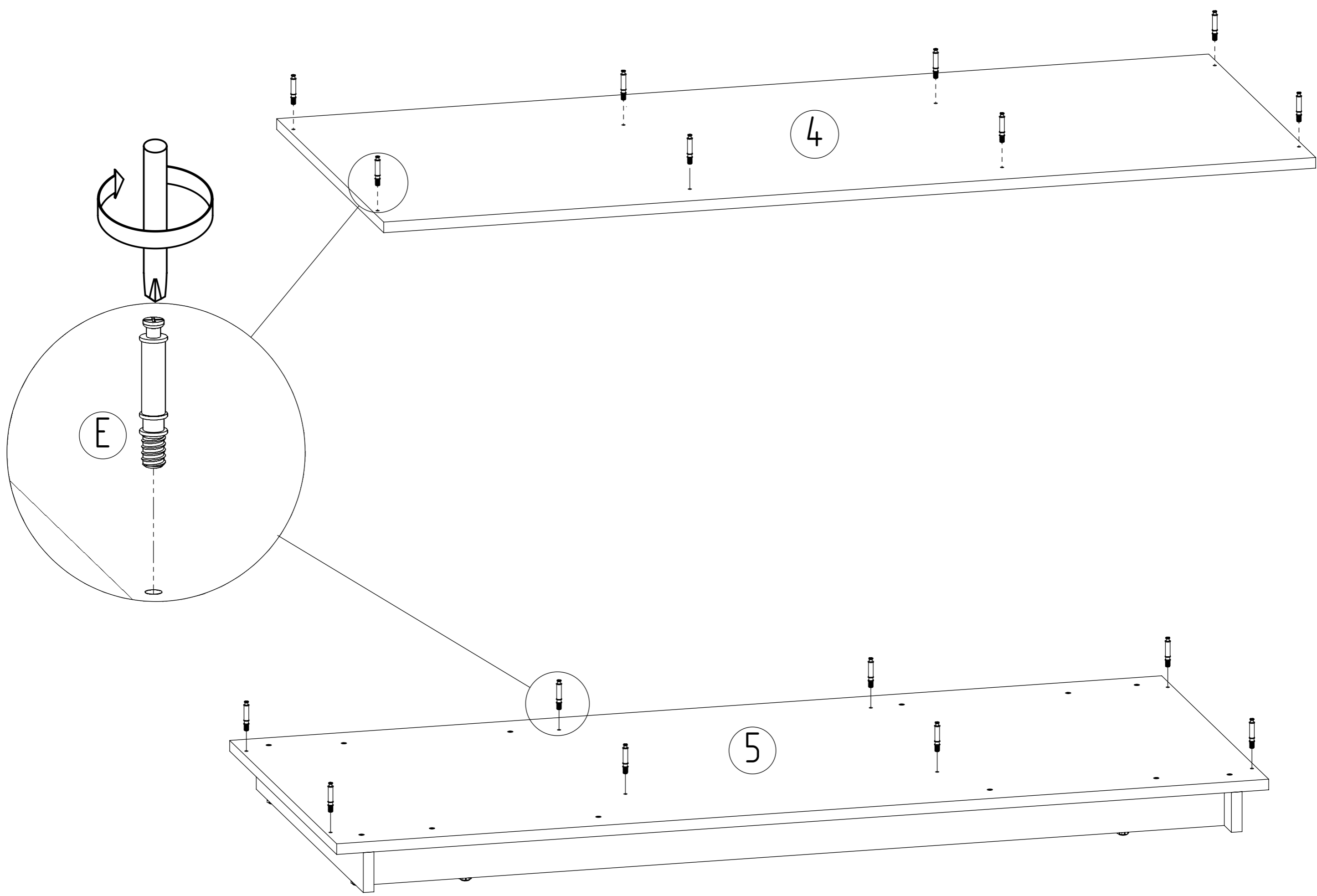
Nº					220x60x180	x
①					2105x600x16	1
②					2105x600x16	1
③					2105x500x16	1
④					1800x600x16	1
⑤					1800x600x16	1
⑥					1052x500x16	2
⑦					600x500x16	4
⑧					600x60x16	2
⑨					1688x60x16	2
⑩					1796x531x2.5	4
⑪					2164x897	2
⑫					300x500x16	2
⑬					L=1766	3
⑭					L=1766	3

<p>(A) 6.3*50</p>  <p>x45</p>	<p>(A1)</p>  <p>x45</p>	<p>(B) 4*16</p>  <p>x24</p>	<p>(C)</p>  <p>x12</p>
<p>(D)</p>  <p>70</p>	<p>(E)</p>  <p>x16</p>	<p>(E1)</p>  <p>x16</p>	<p>(F)</p>  <p>x9.40</p>
<p>(G)</p>  <p>x2</p>	<p>(G1)</p>  <p>x1</p>	<p>(H)</p>  <p>x2</p>	<p>(I)</p>  <p>x8</p>
<p>(J)</p>  <p>x8</p>	<p>(K) 3.5*16</p>  <p>x6</p>	<p>(L)</p>  <p>x1</p>	

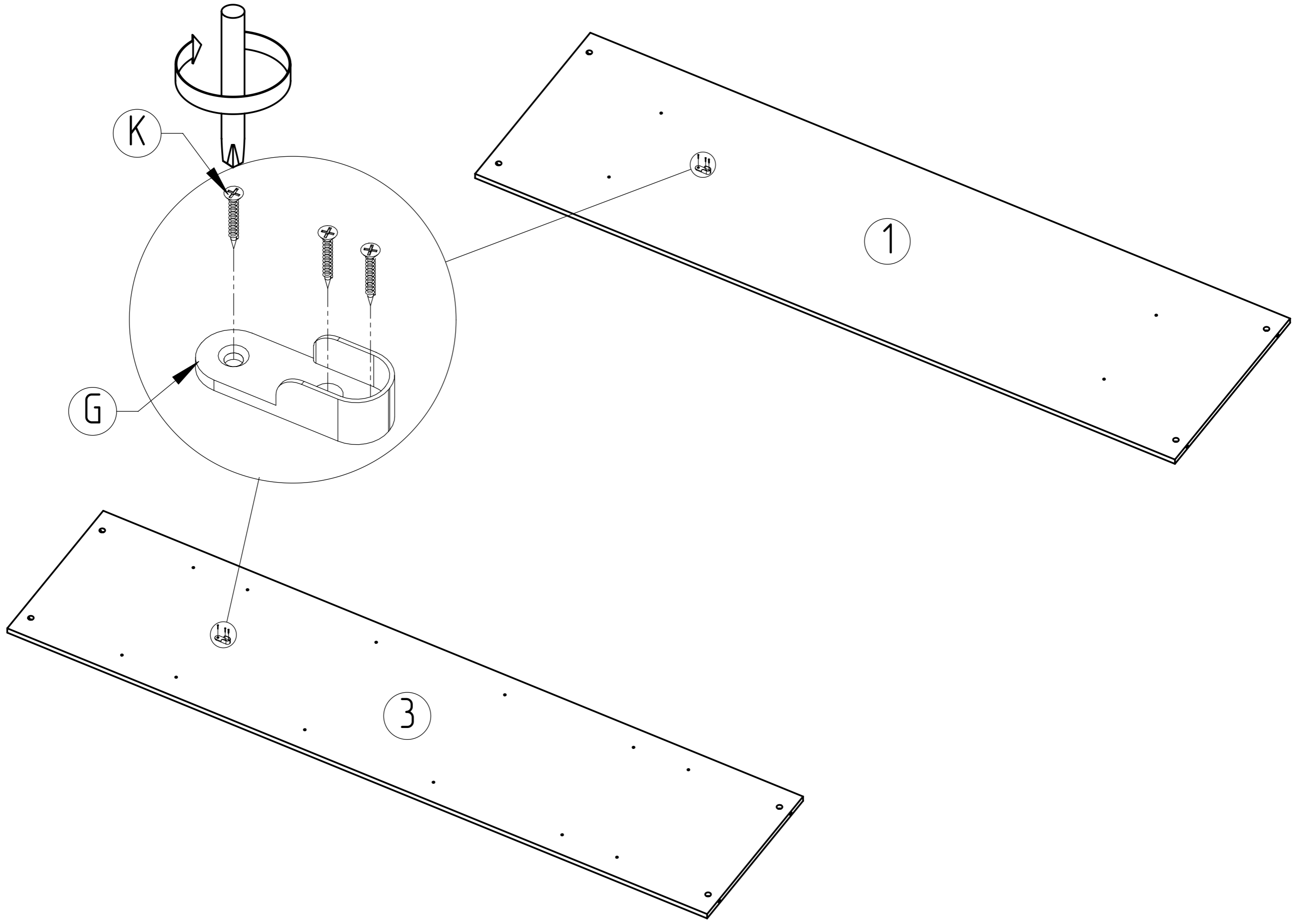
1



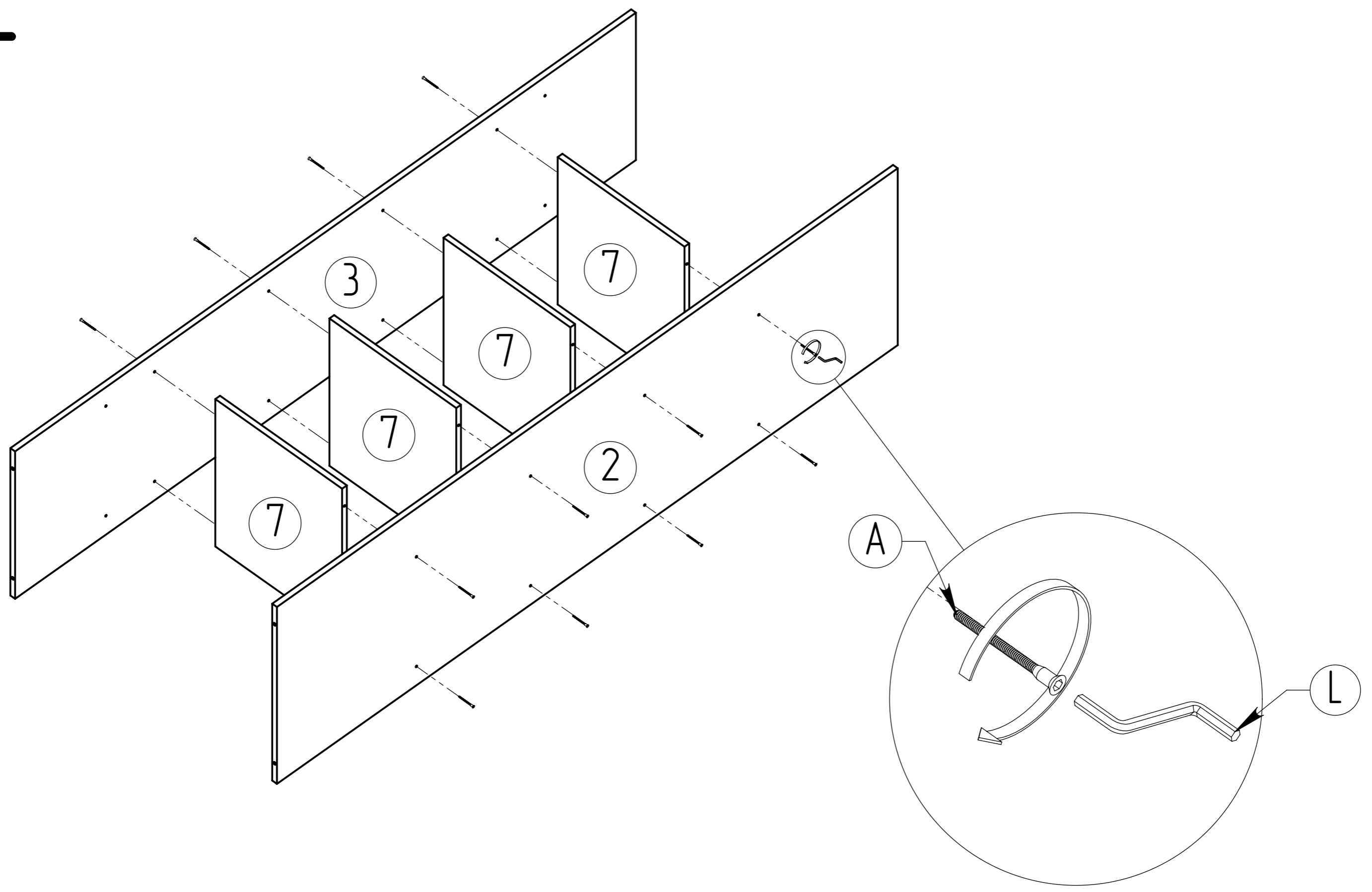
2



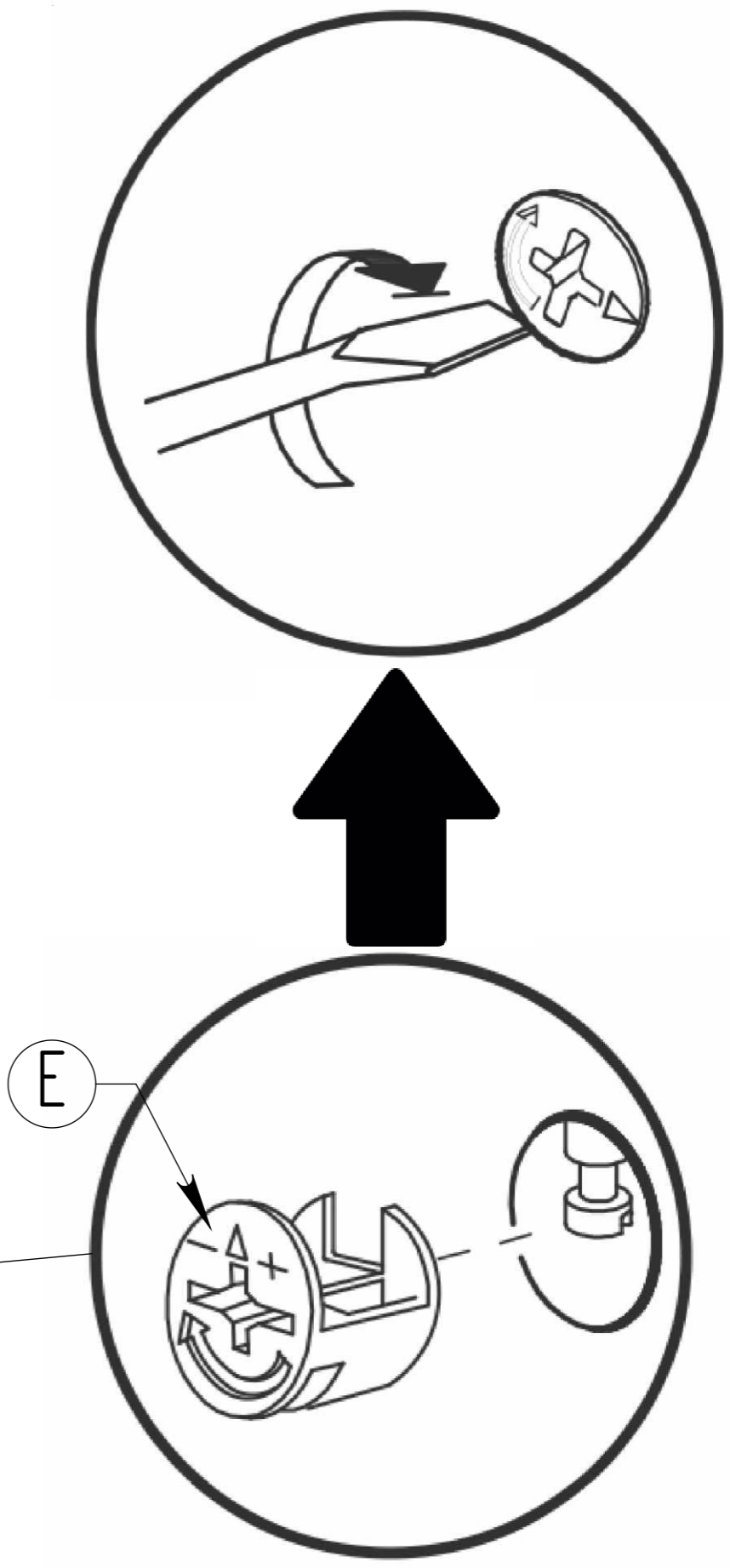
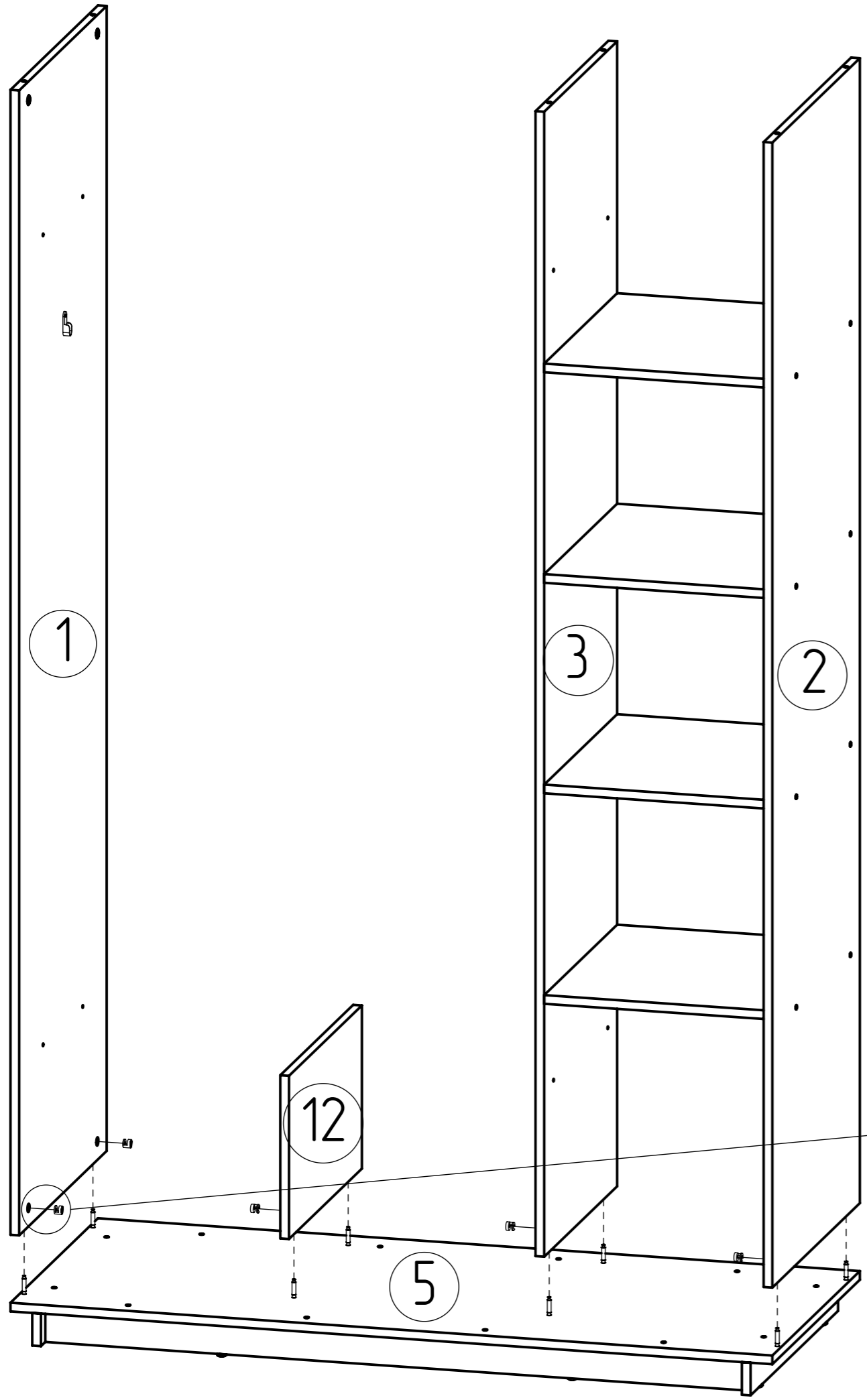
3



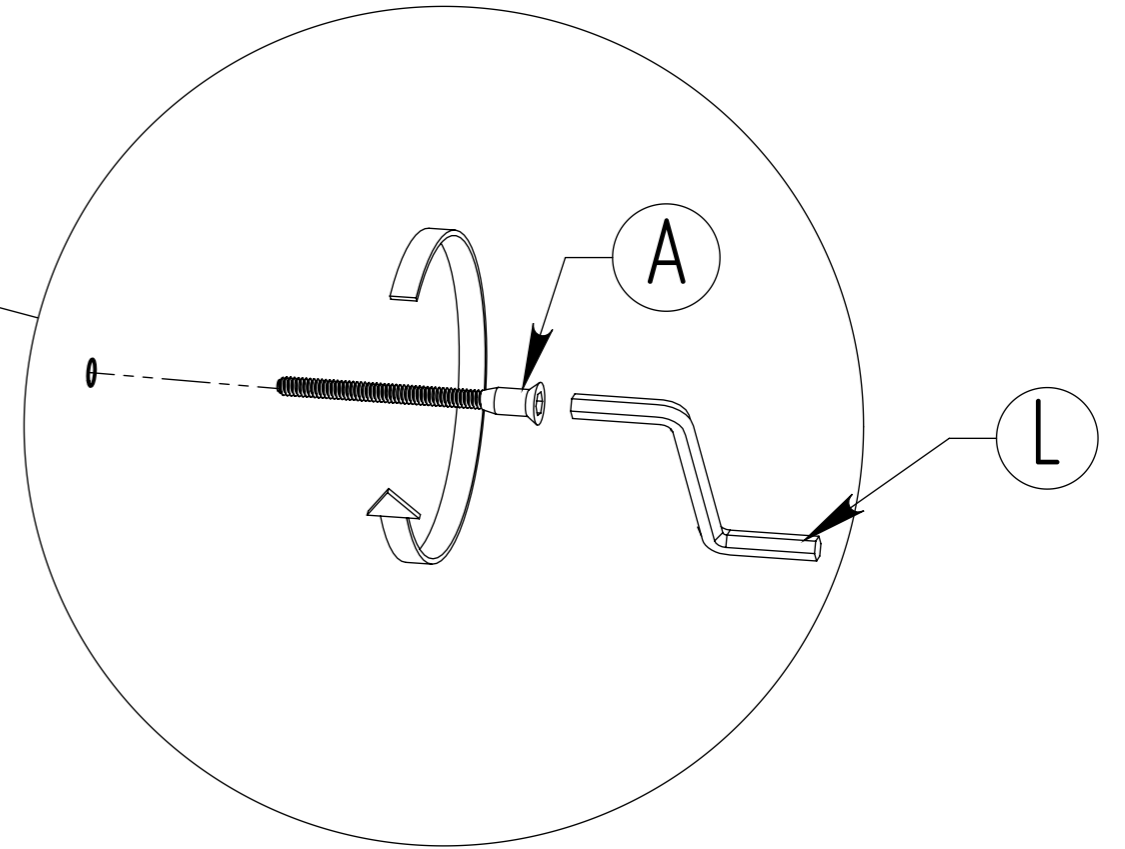
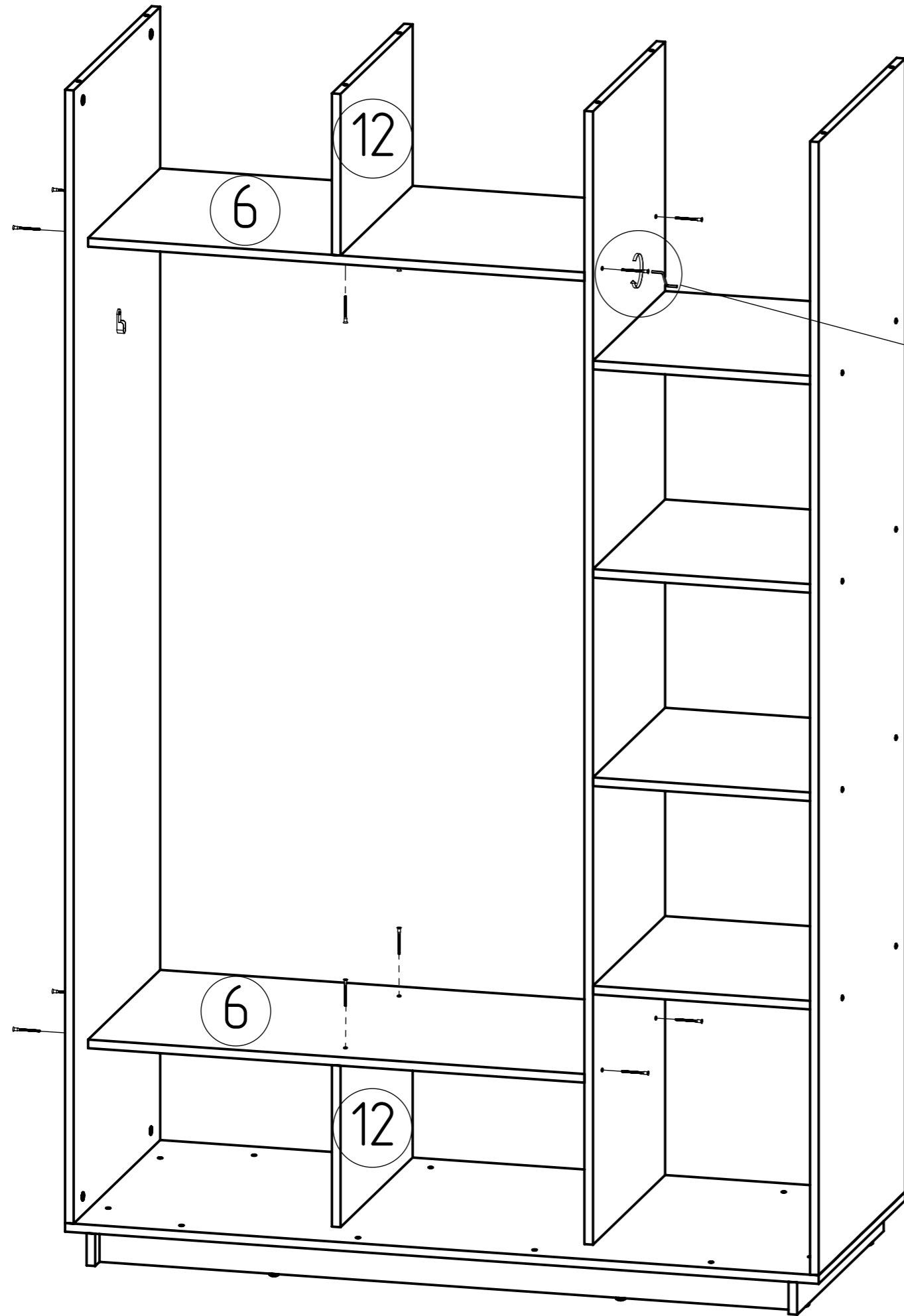
4



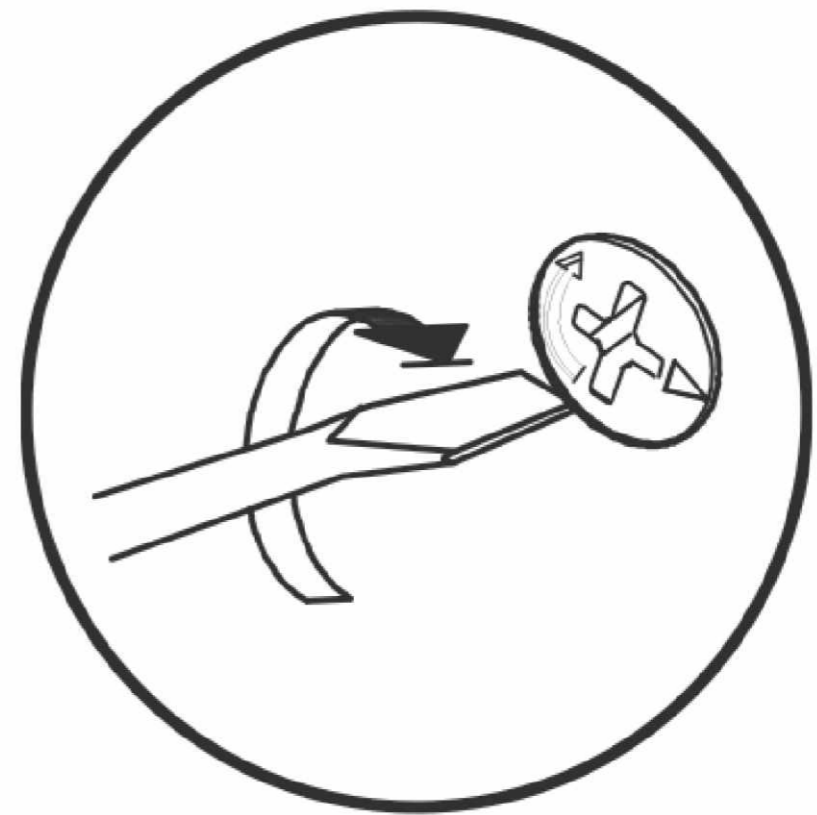
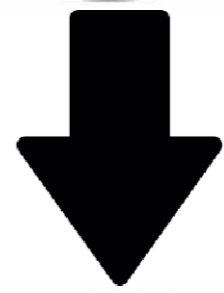
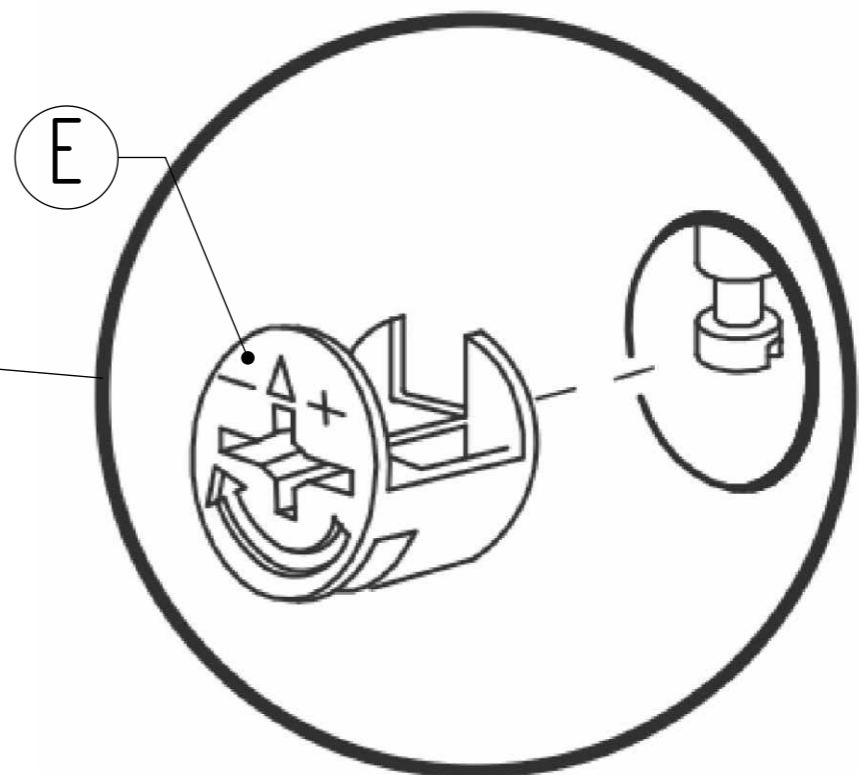
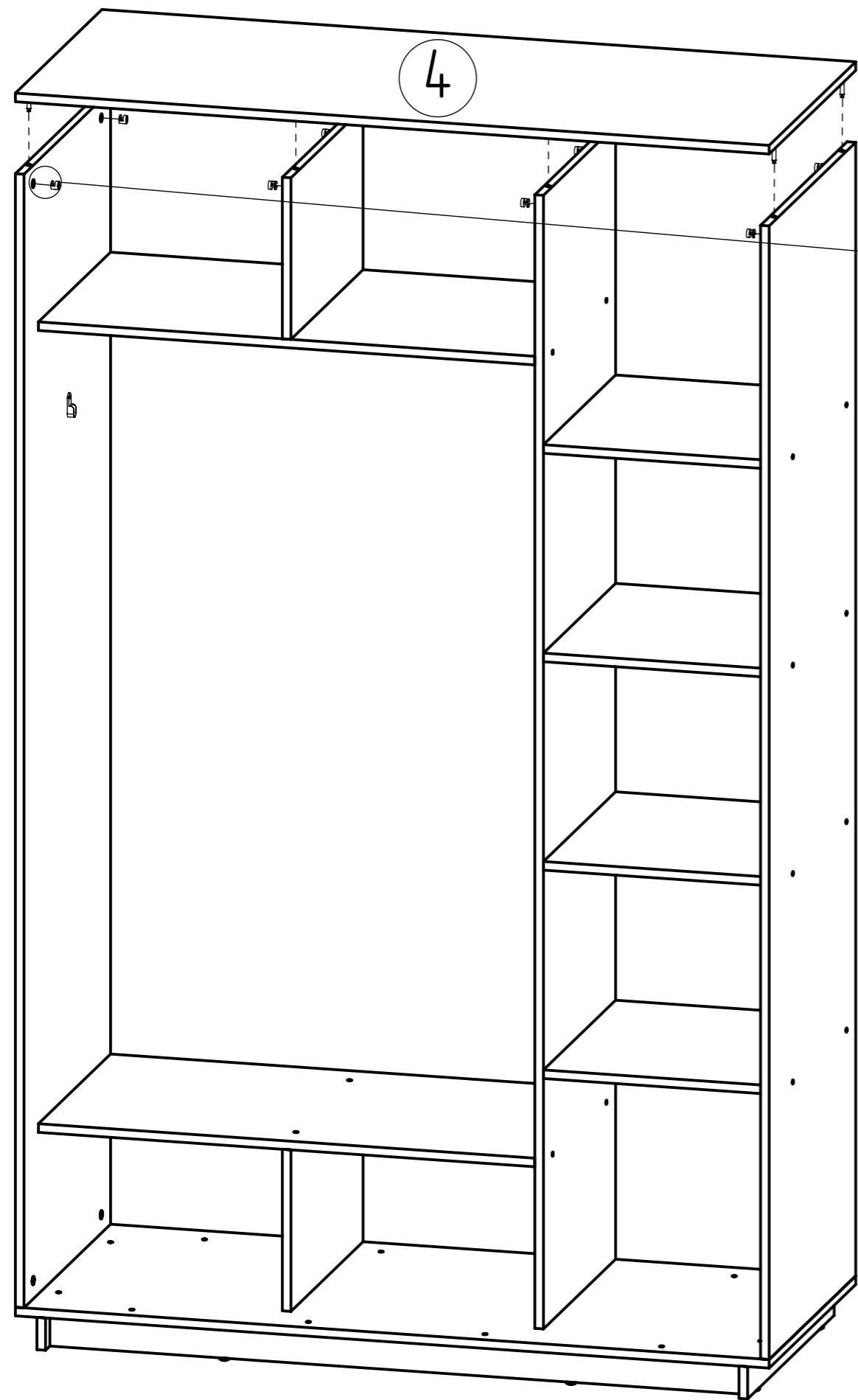
5



6

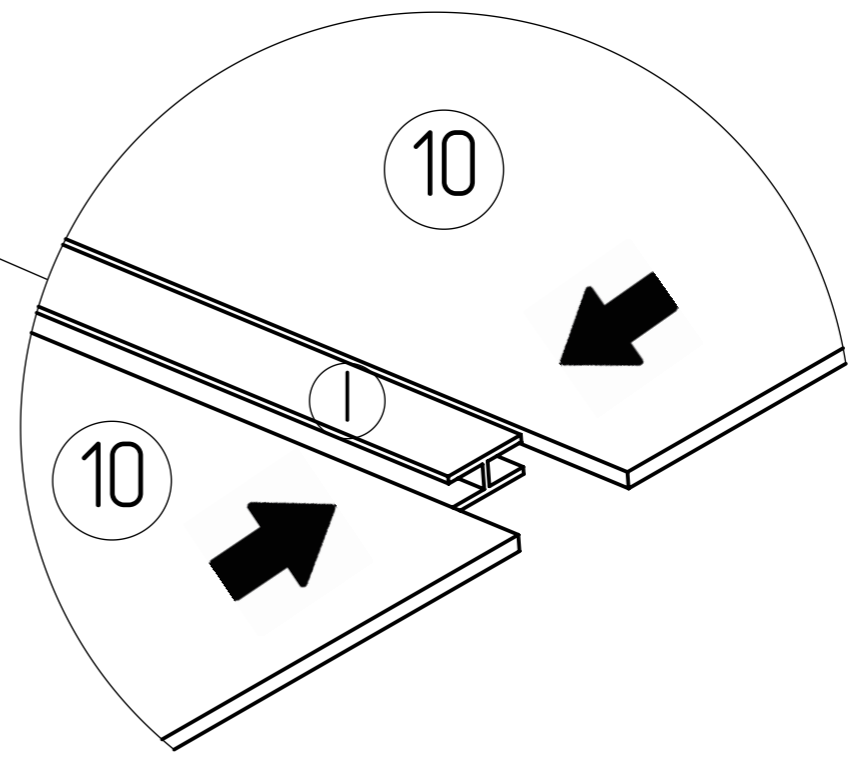
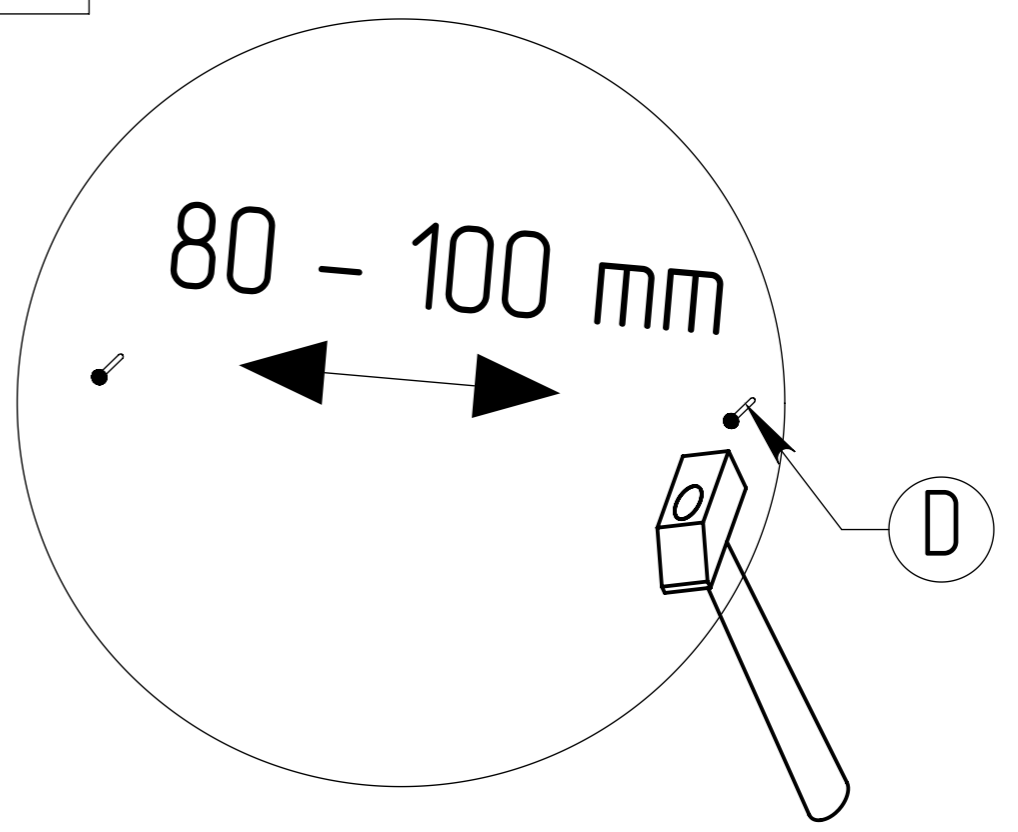
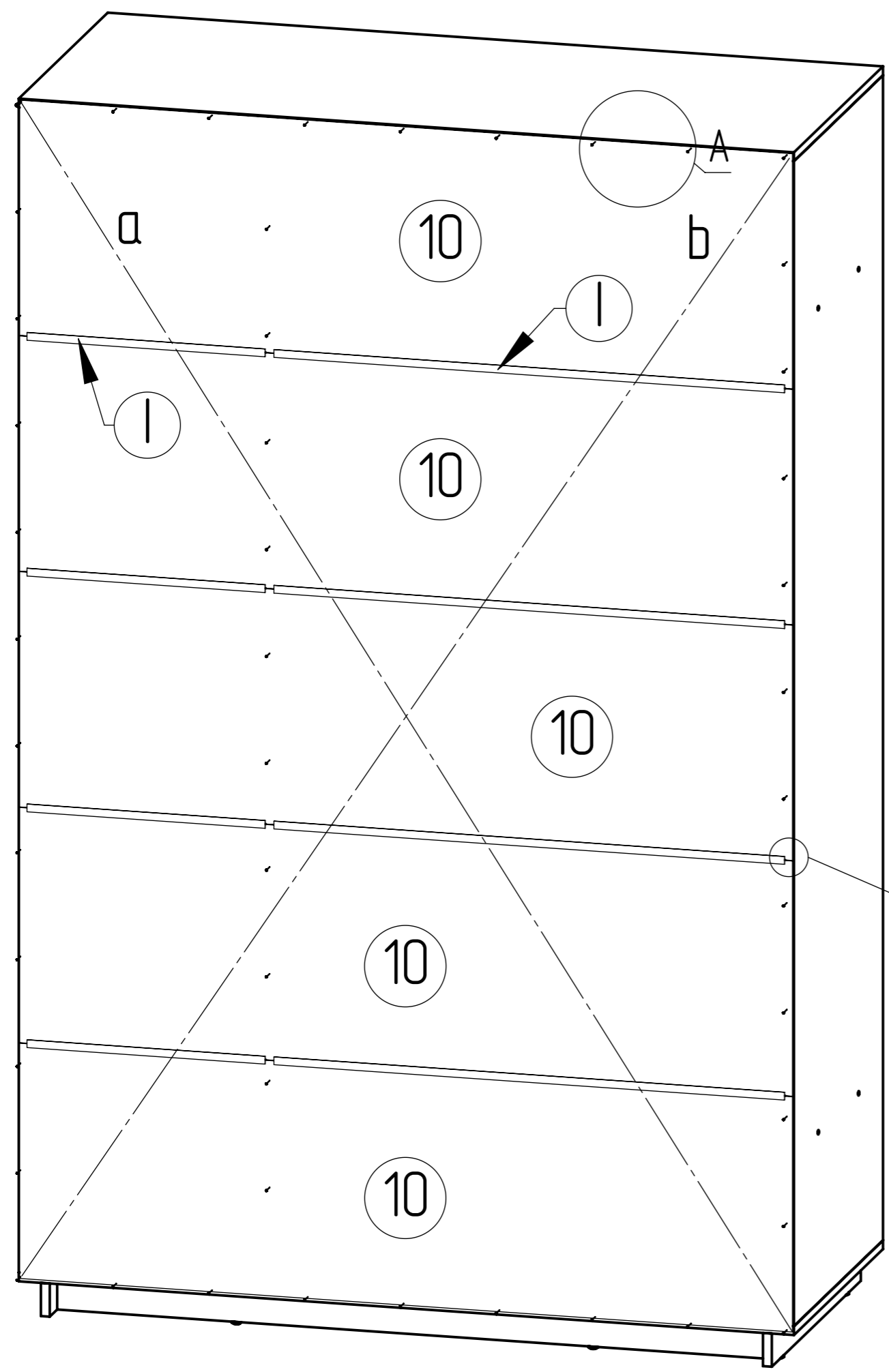


7

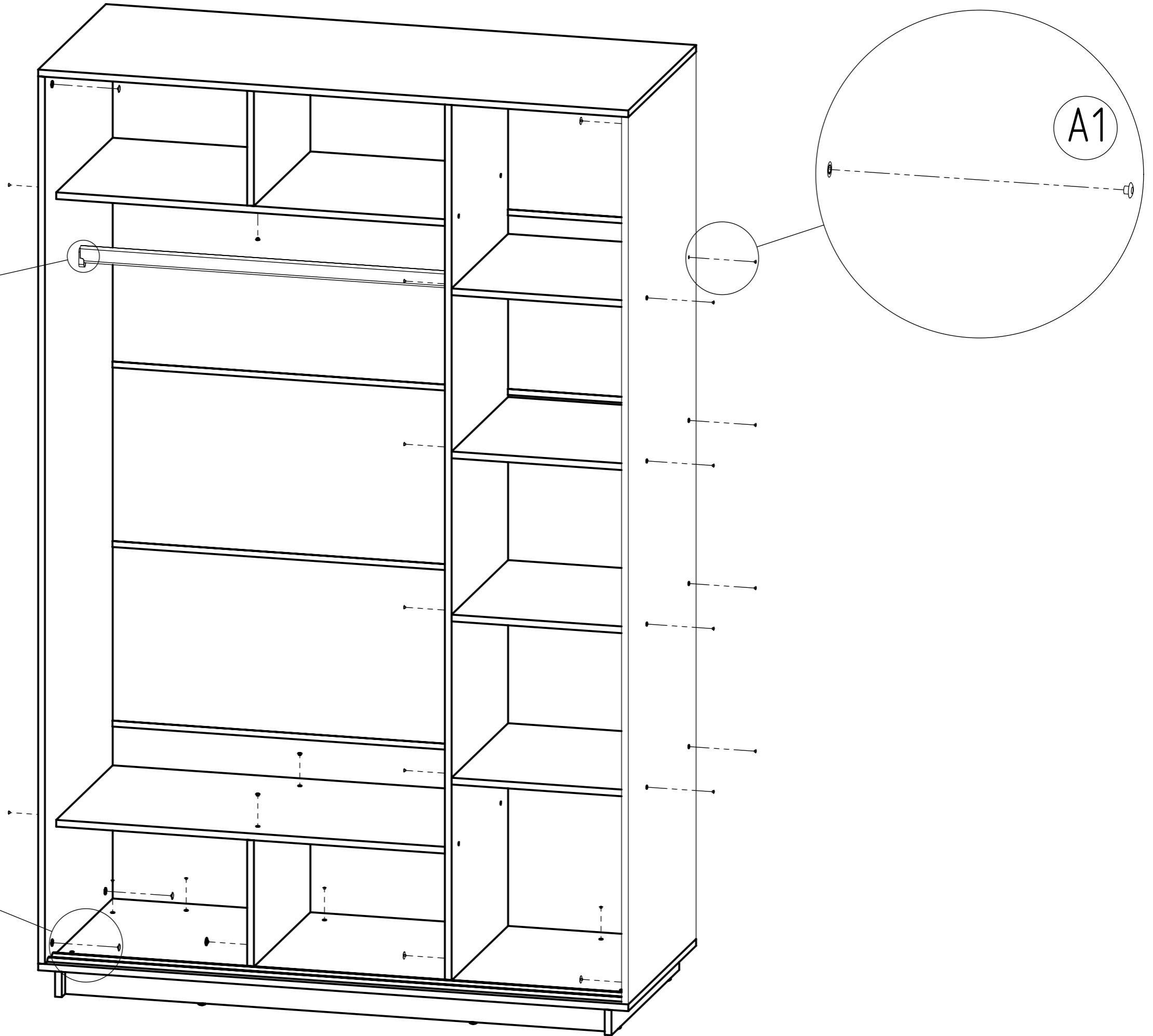
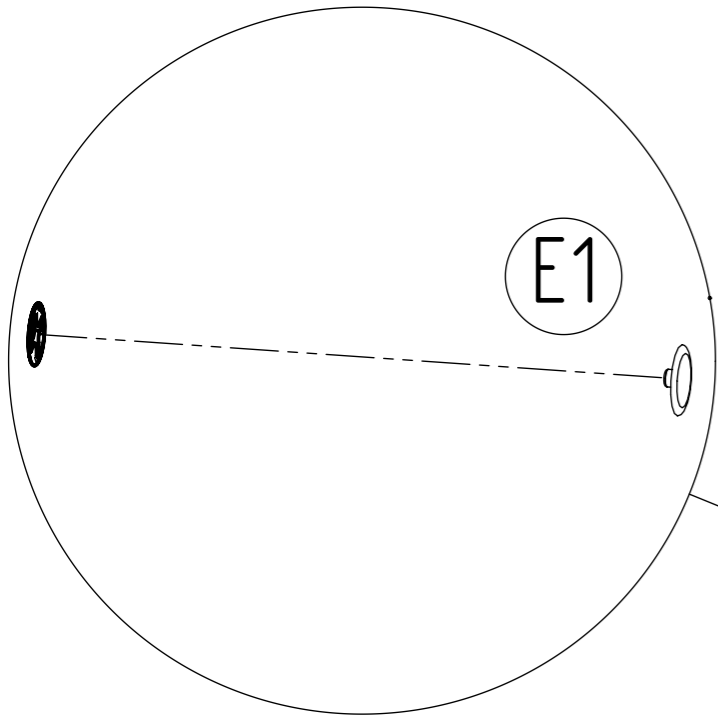
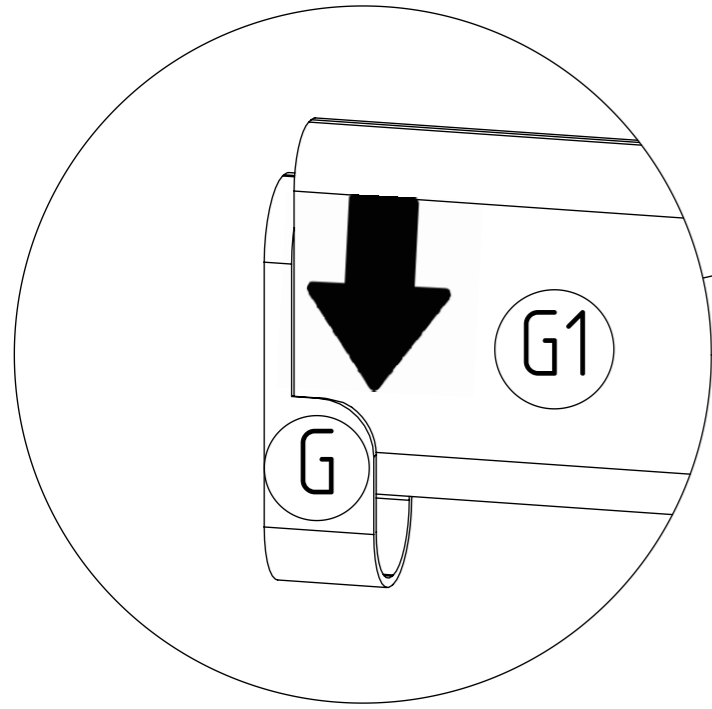


8

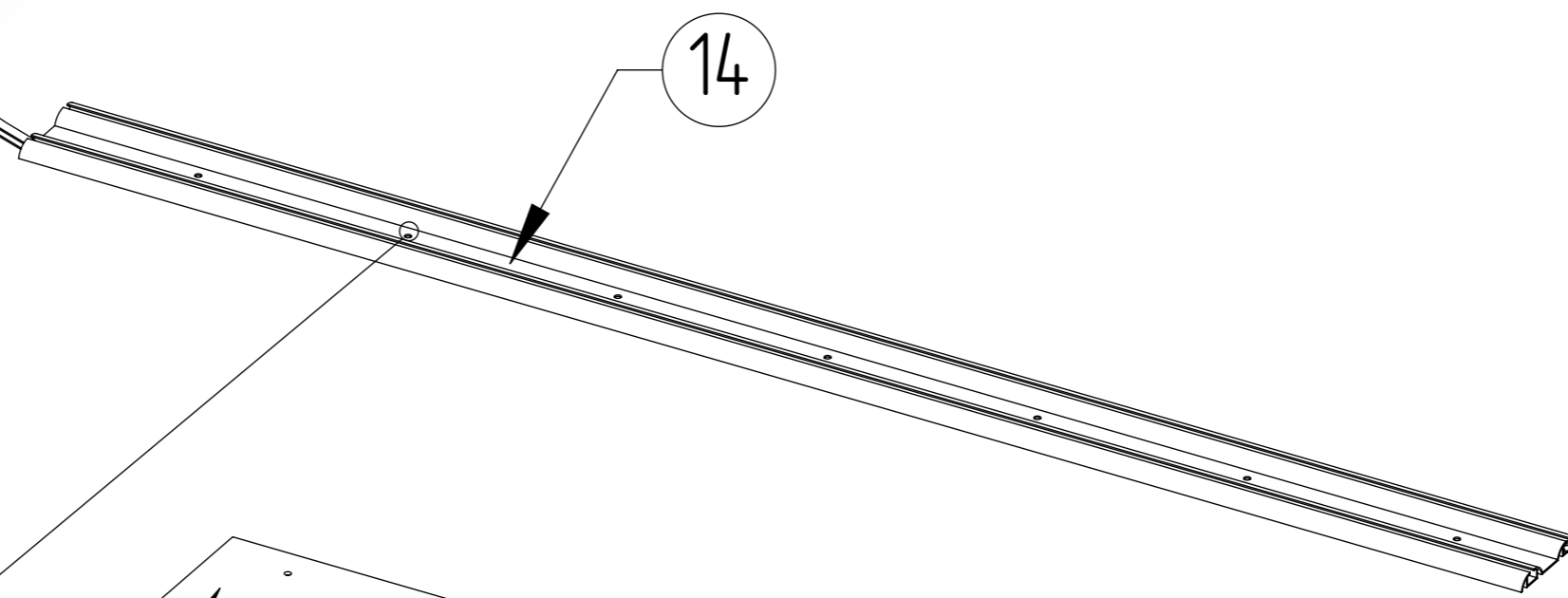
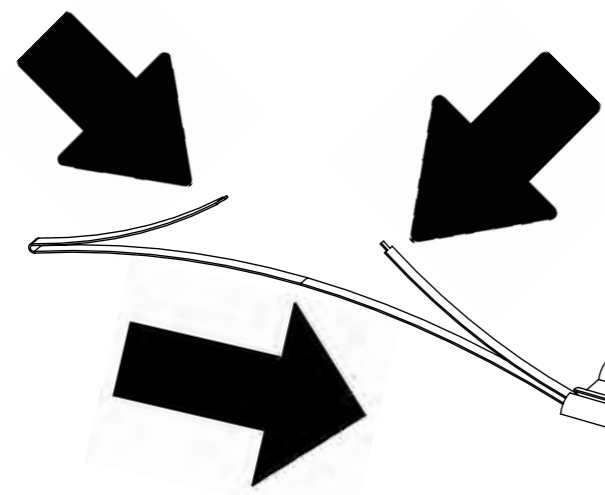
$a = b$



9



10

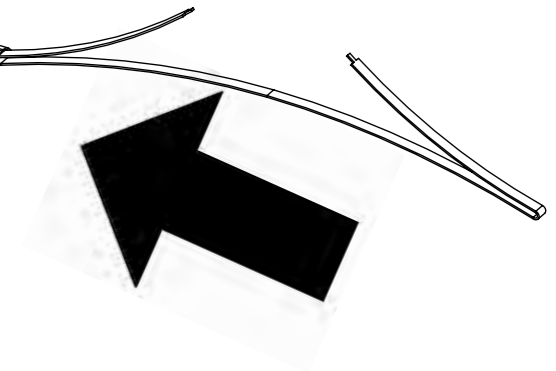
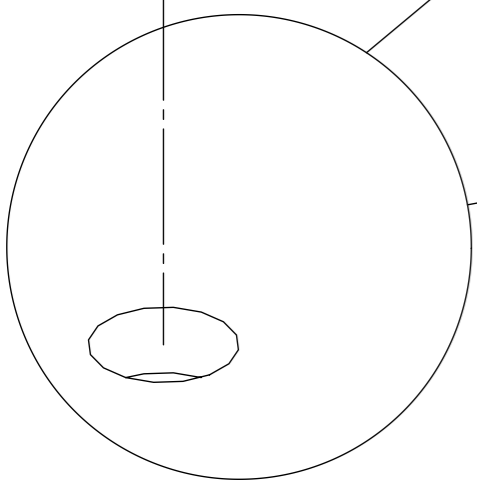


14

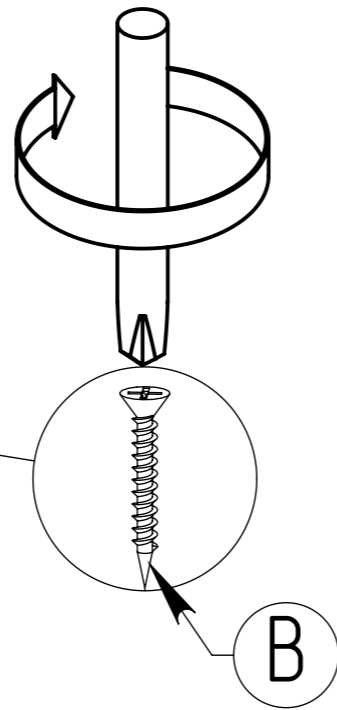
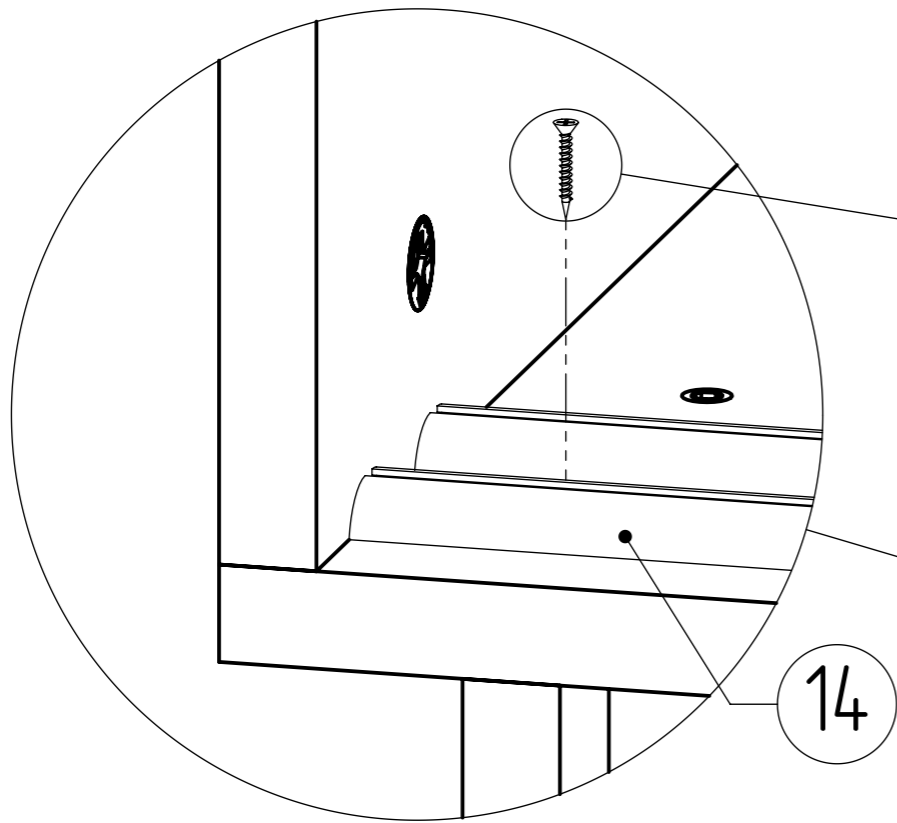
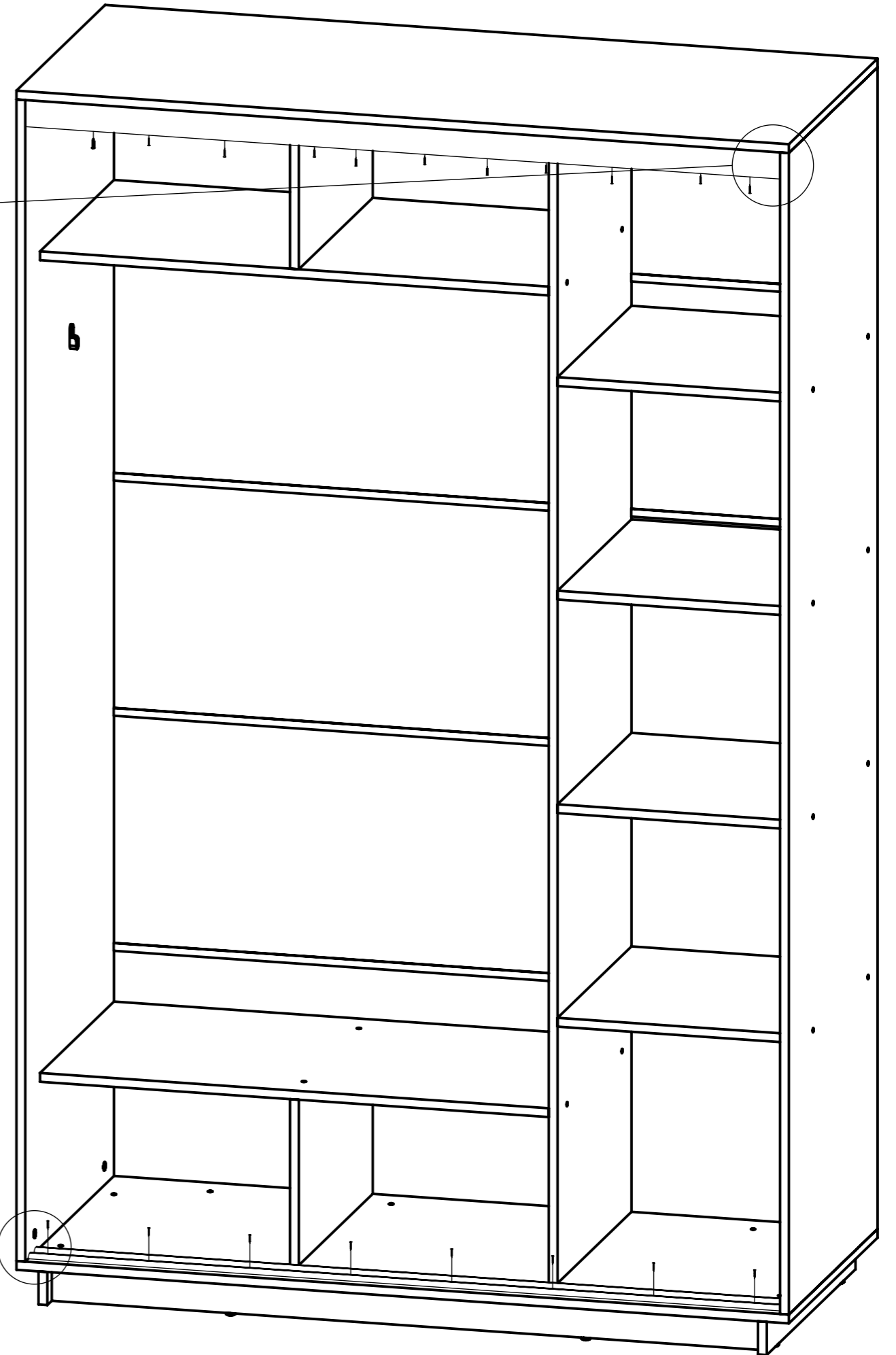
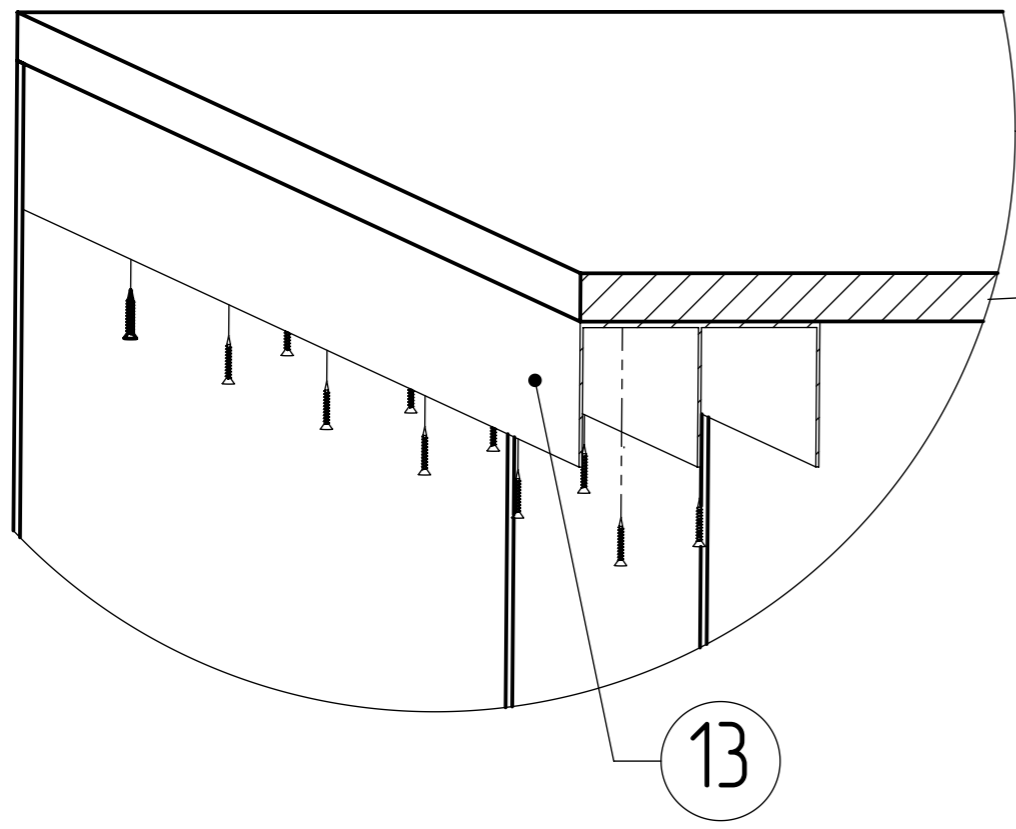
13



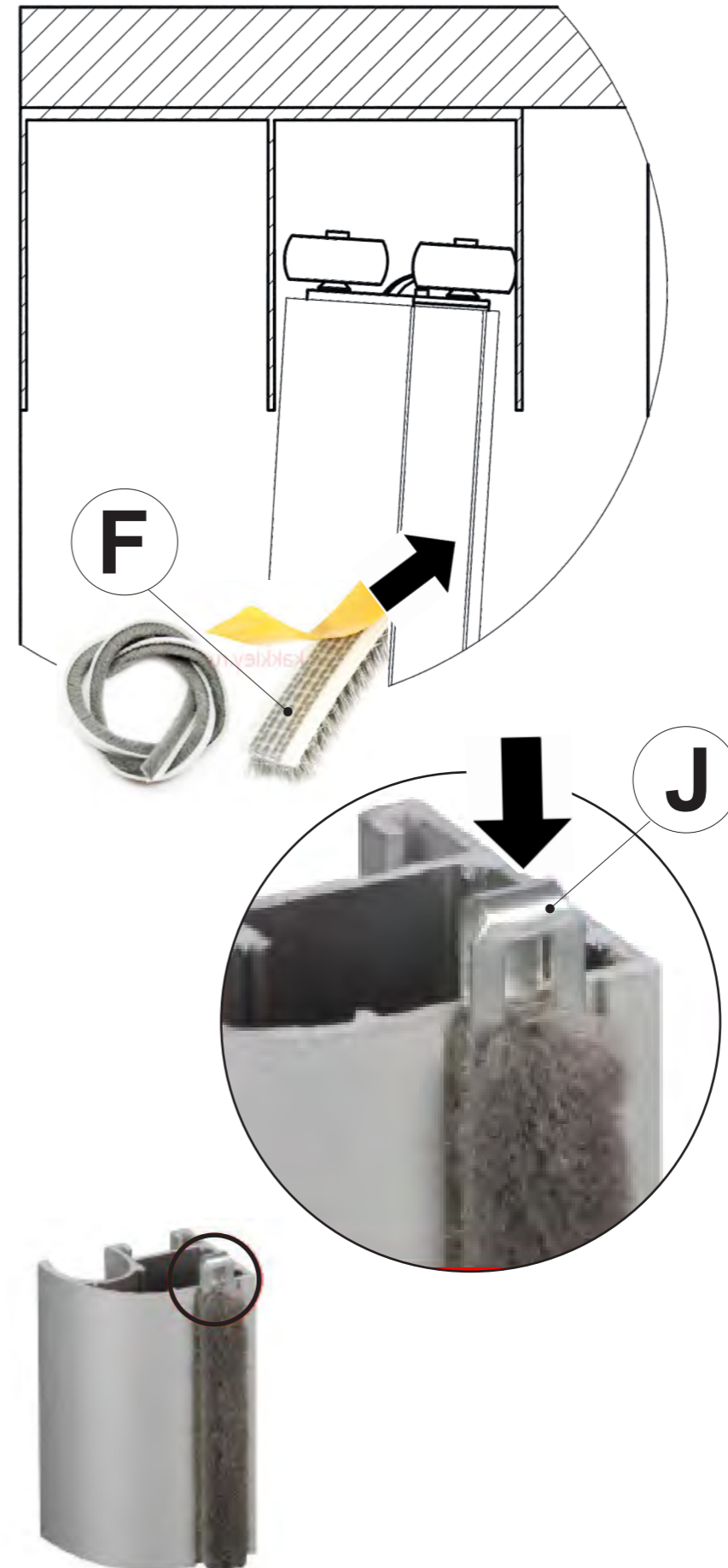
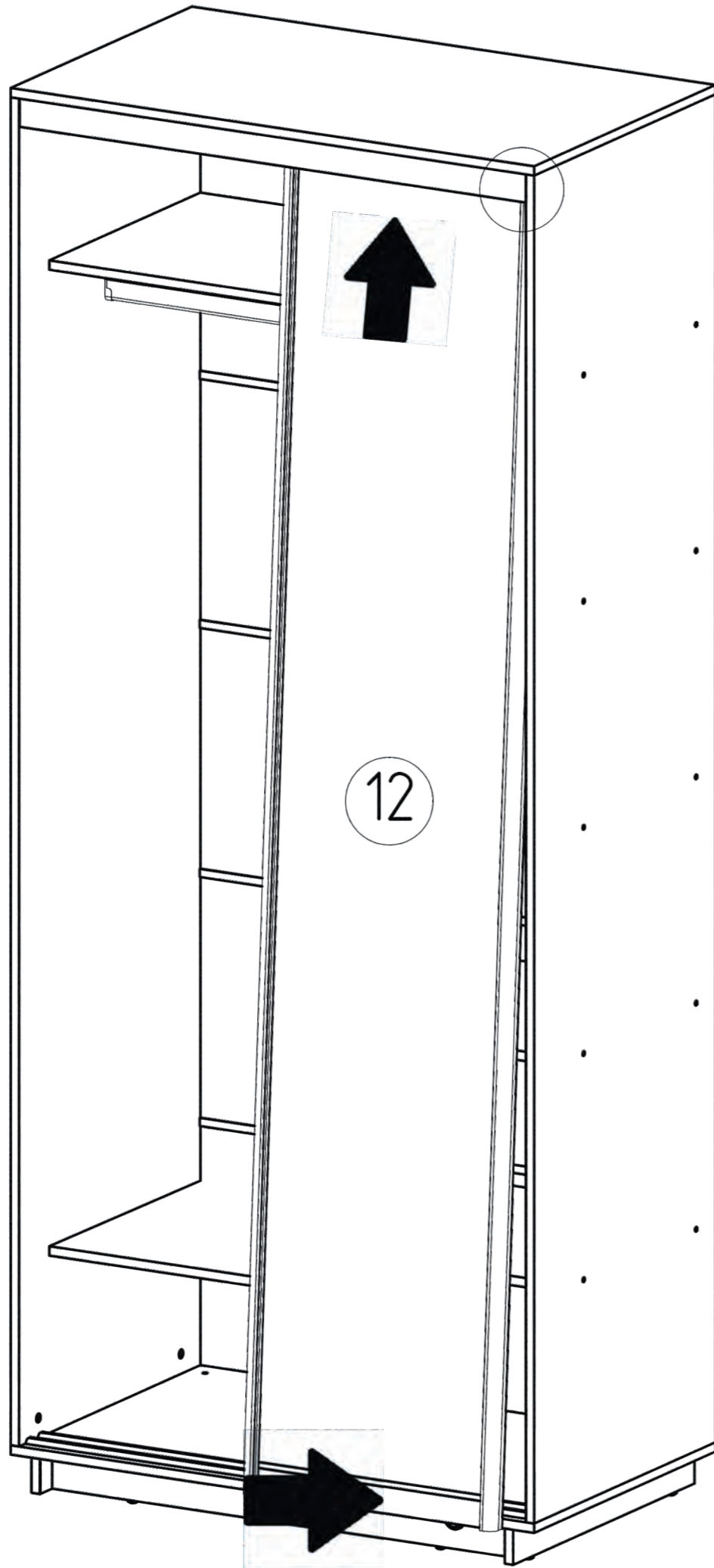
∅ 4-5



11



12



13

