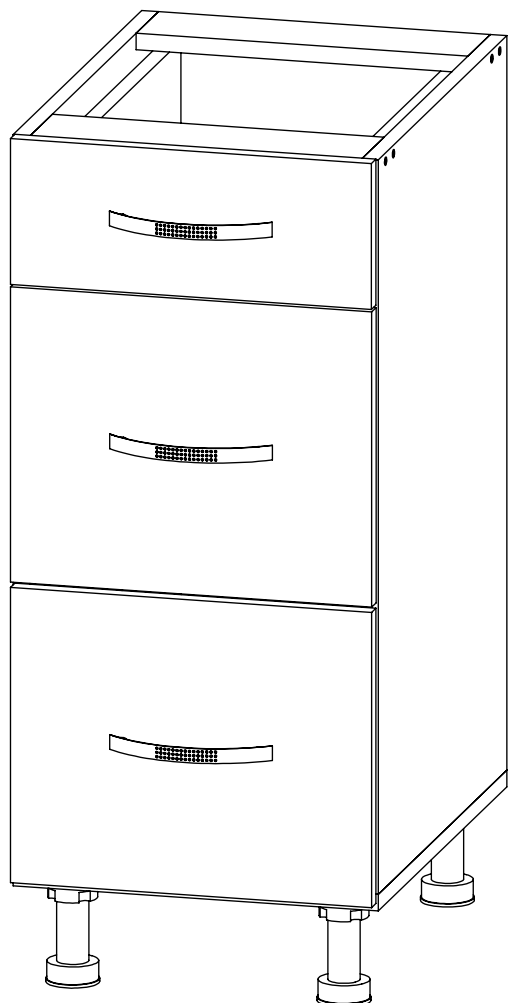




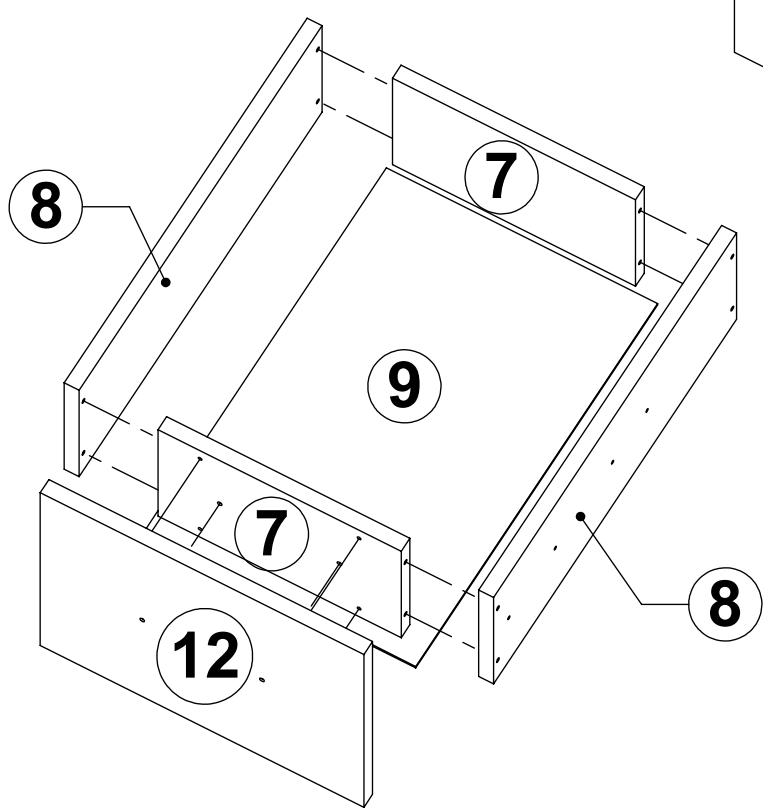
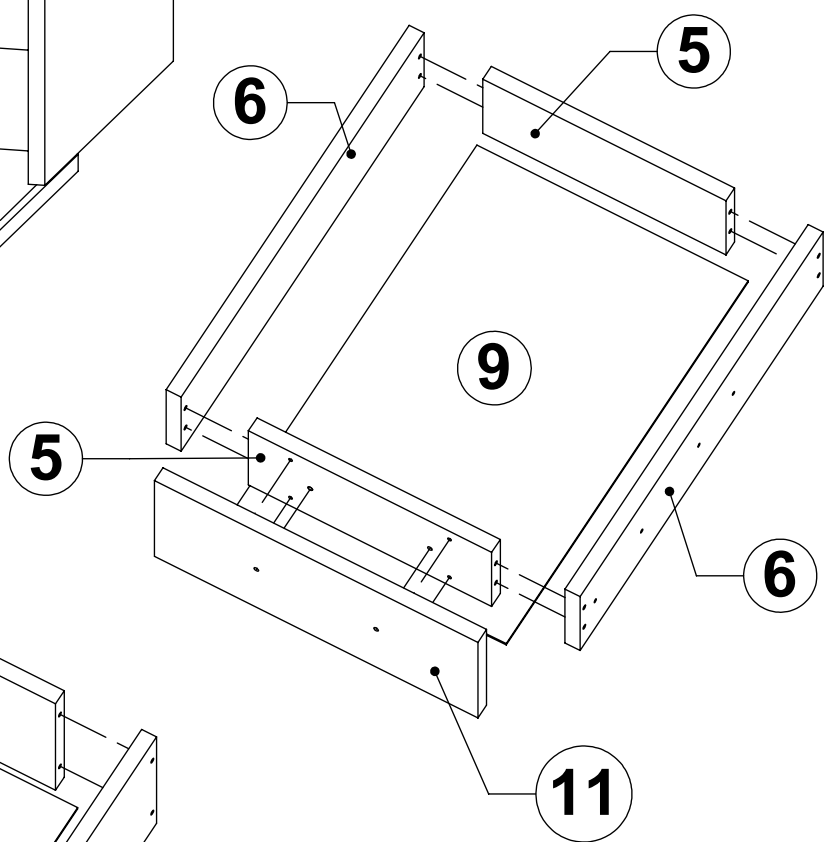
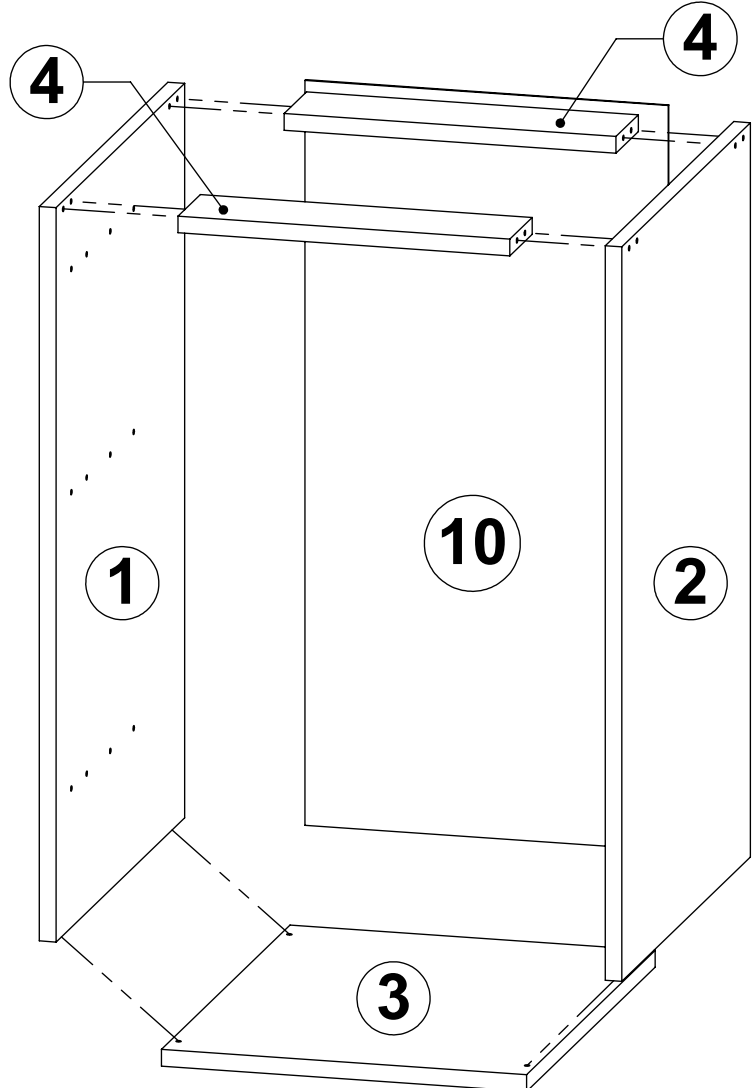
LOW Units



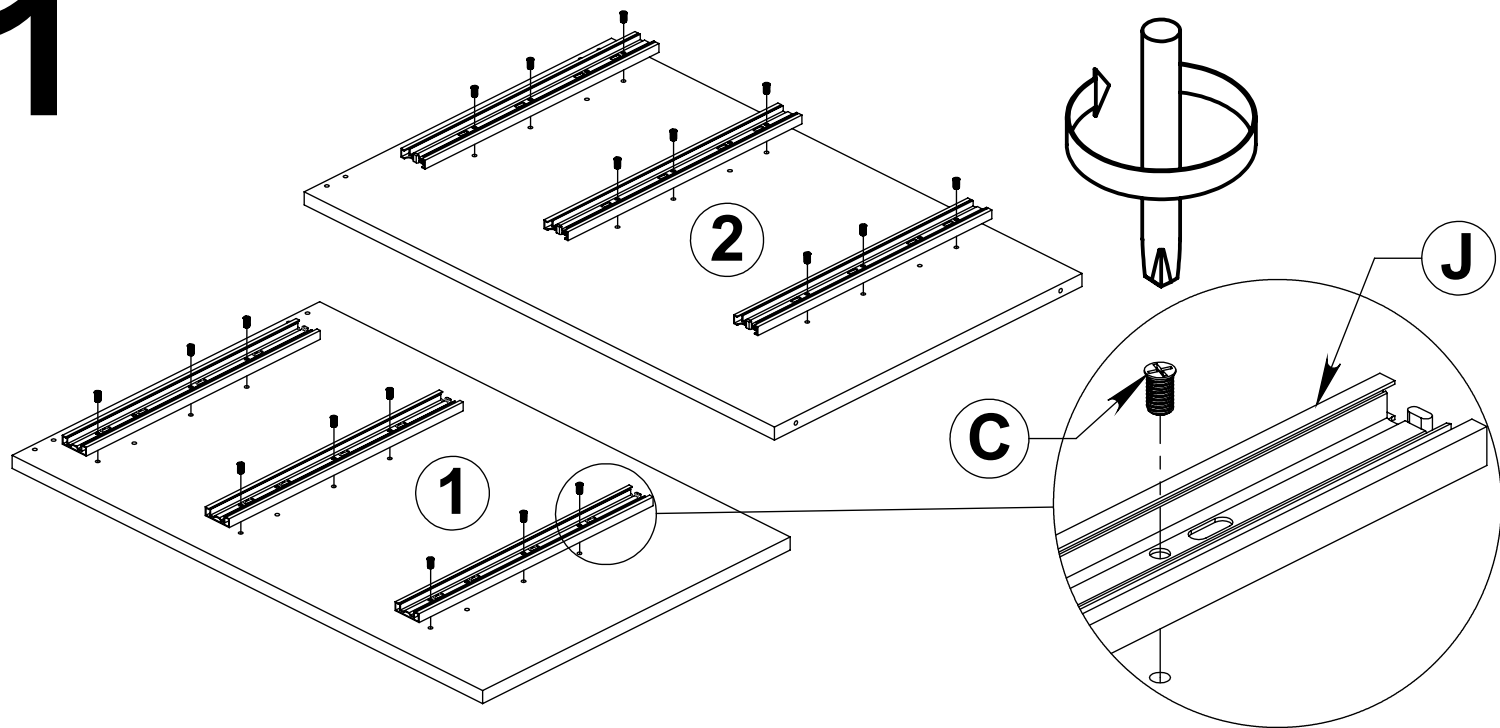
A  x36	B 4.0x16  x20	C  x24
D 4.0x30  x16	E  x6	F  x3
J  x3	K  100	L  x4
I 3.5x16  x18	M LD-(1+2)50/82  x1	M LD-(1+2)60/82  x1

No LD-(1+2)35/82 LD-(1+2)40/82 LD-(1+2)45/82 LD-(1+2)50/82 LD-(1+2)60/82 X

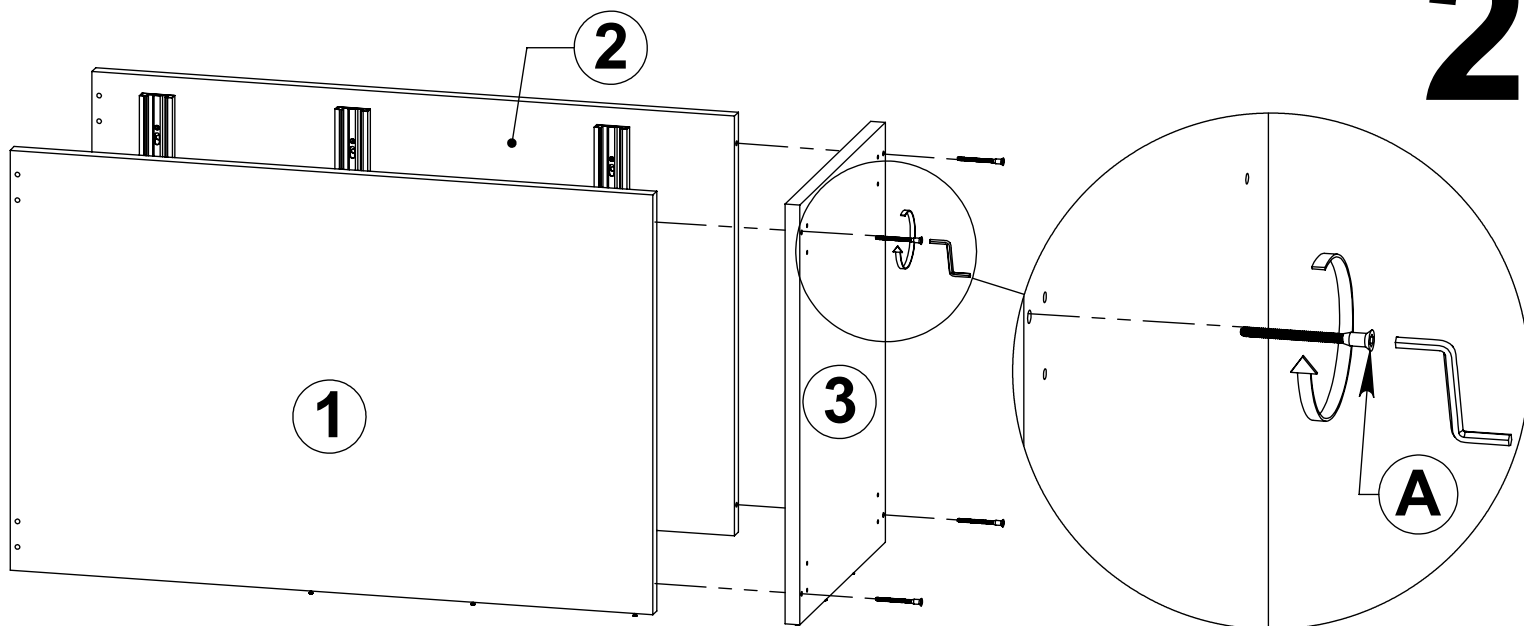
①	704x460	1	704x460	1	704x460	1	704x460	1	704x460	1
②	704x460	1	704x460	1	704x460	1	704x460	1	704x460	1
③	350x460	1	400x460	1	450x460	1	500x460	1	600x460	1
④	318x80	2	368x80	2	418x80	2	468x80	2	568x80	2
⑤	258x100	2	308x100	2	358x100	2	408x100	2	508x100	2
⑥	450x100	2	450x100	2	450x100	2	450x100	2	450x100	2
⑦	258x160	4	308x160	4	358x160	4	408x160	4	508x160	4
⑧	450x160	4	450x160	4	450x160	4	450x160	4	450x160	4
⑨	288x448	3	338x448	3	388x448	3	438x448	3	538x448	3
⑩	714x348	1	714x398	1	714x448	1	714x198	1	714x298	2
⑪	140x346	1	140x396	1	140x446	1	140x496	1	140x596	1
⑫	283x346	2	283x396	2	283x446	2	283x496	2	283x596	2
⑬	-	-	-	-	-	-	714x298	1	-	-



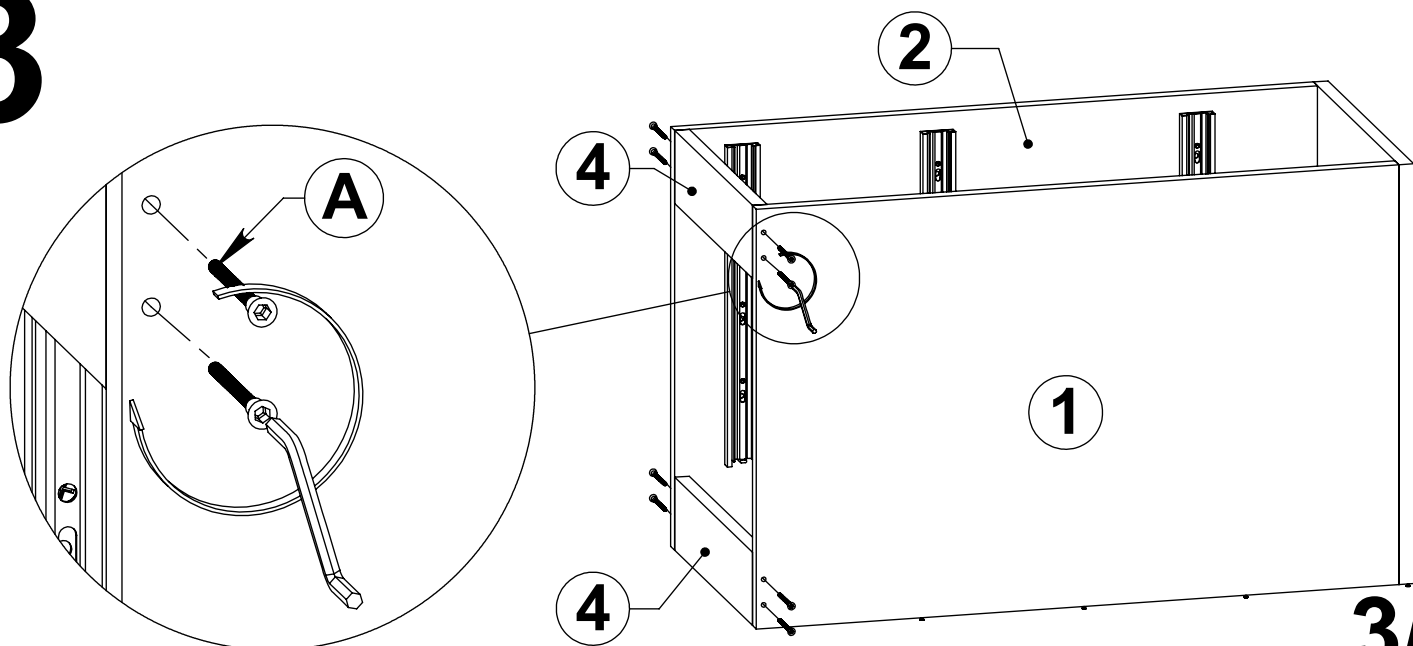
1



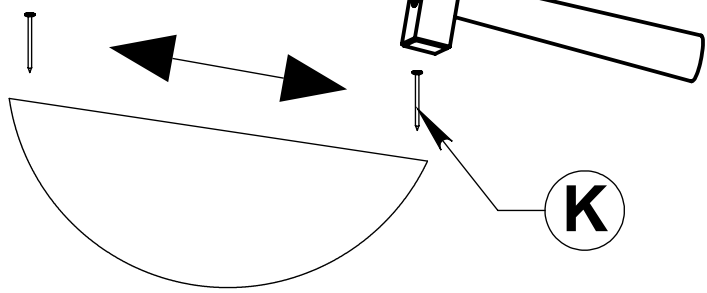
2



3

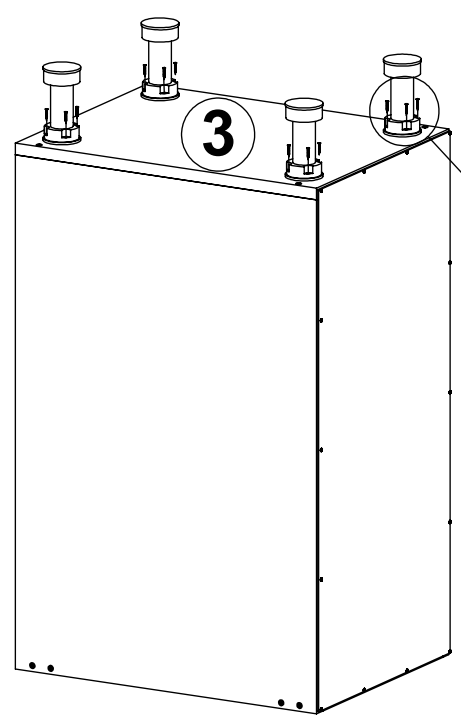
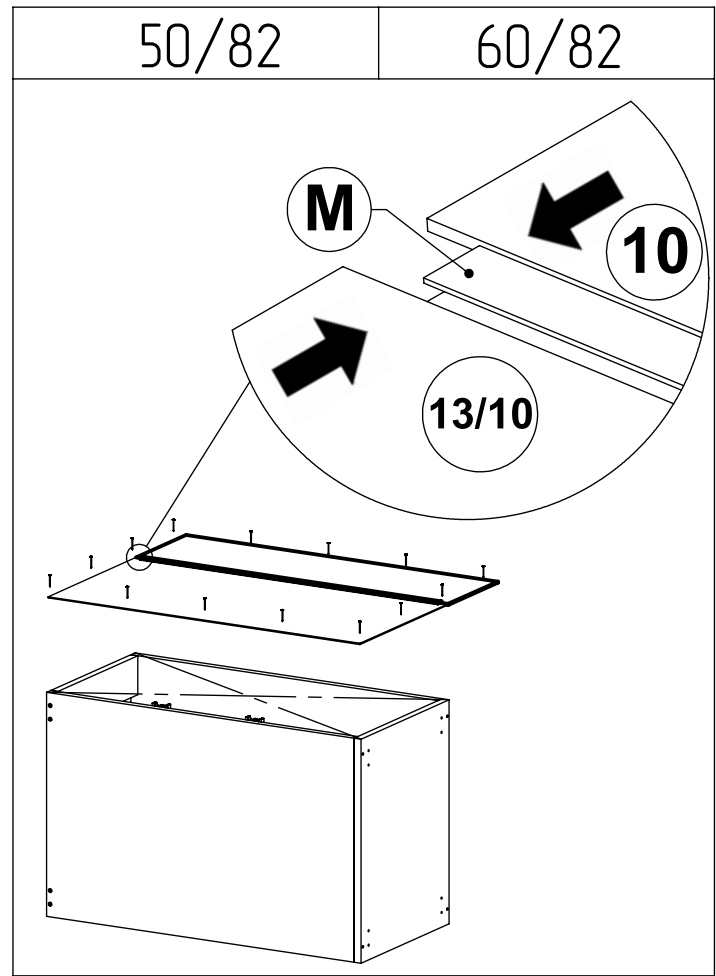
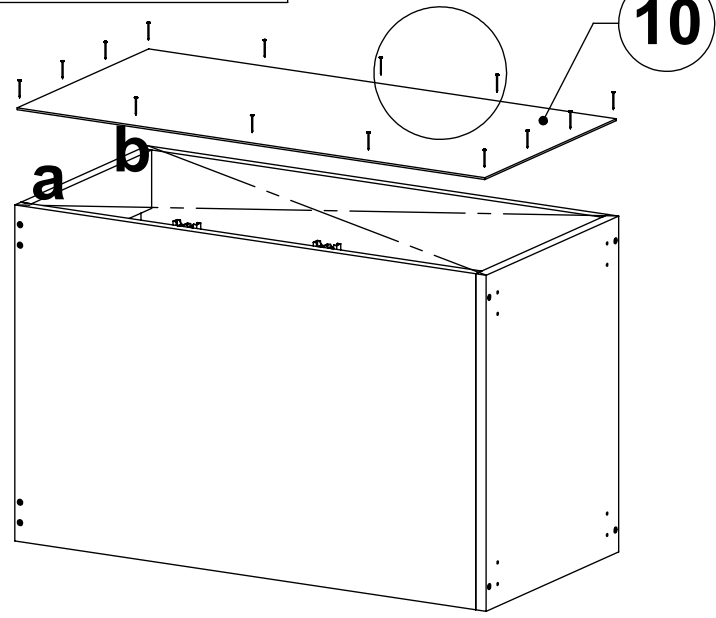


80 - 100 mm

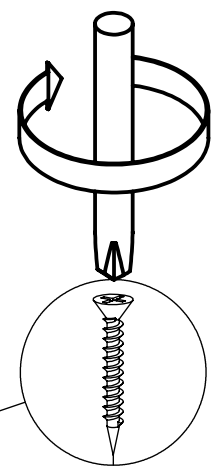
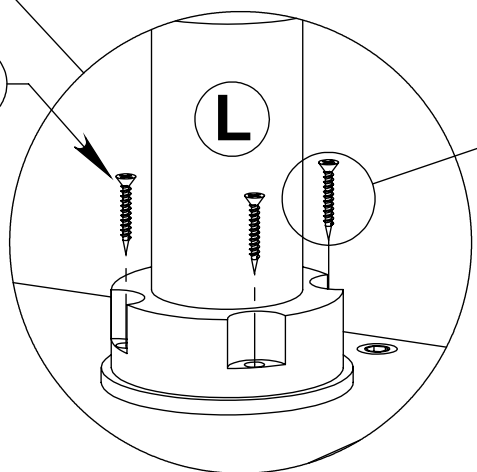


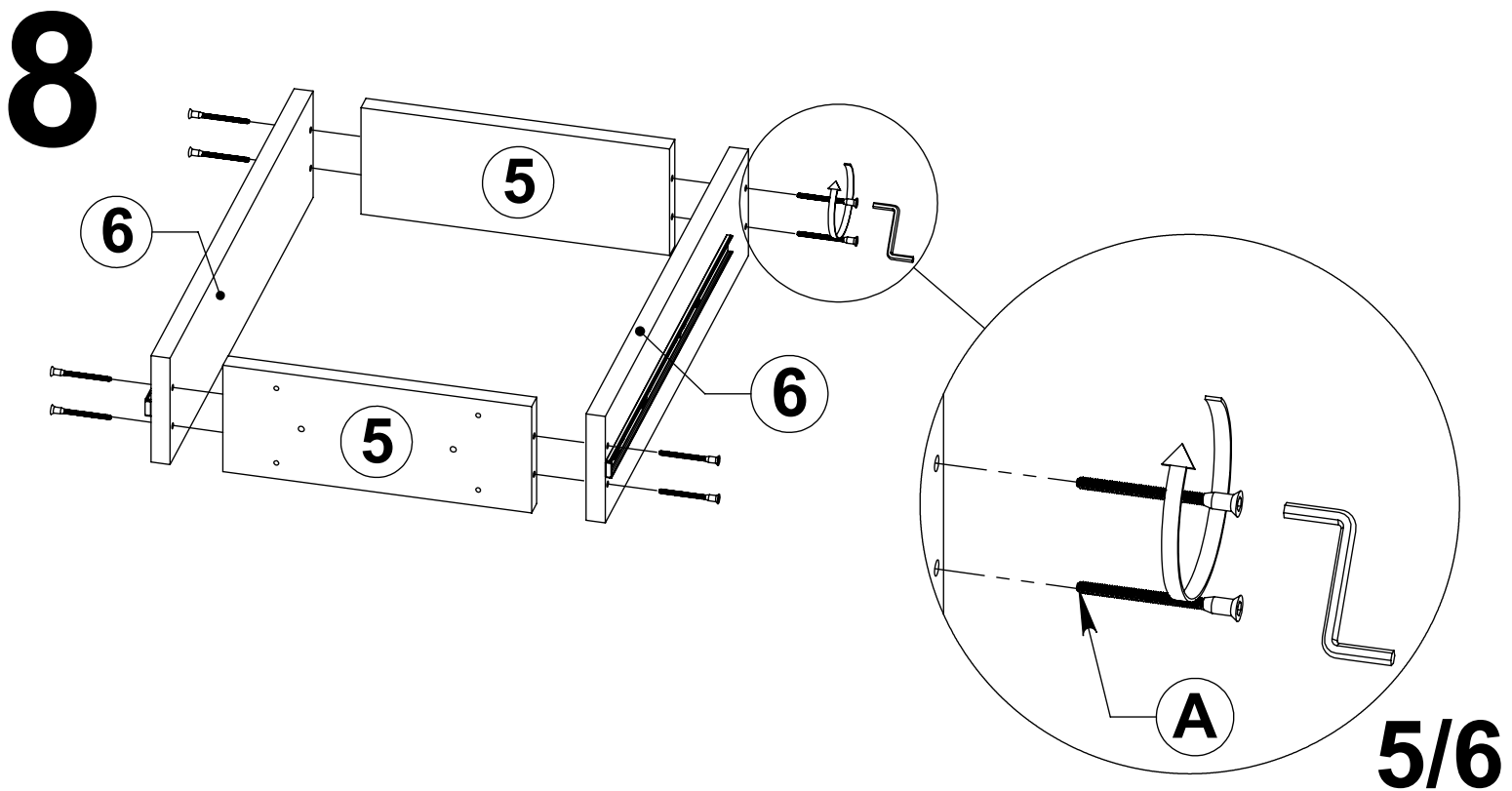
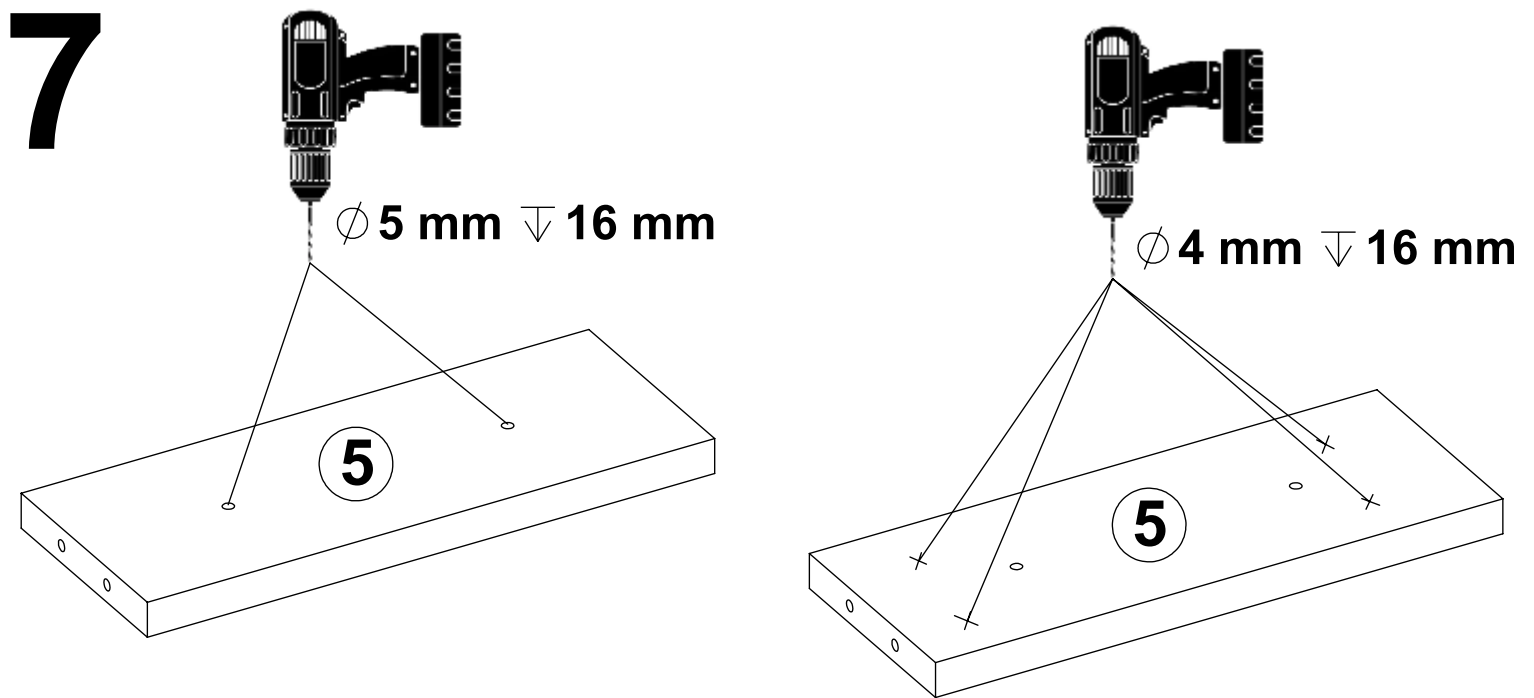
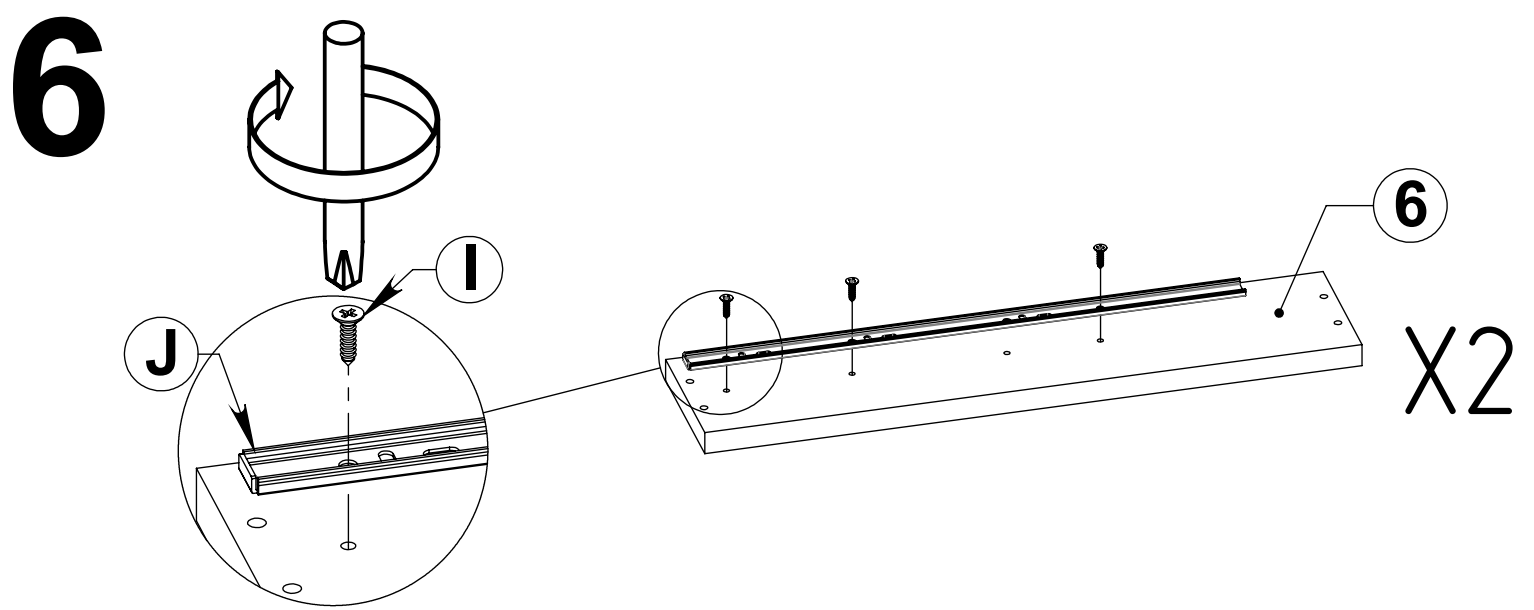
K

$a = b$

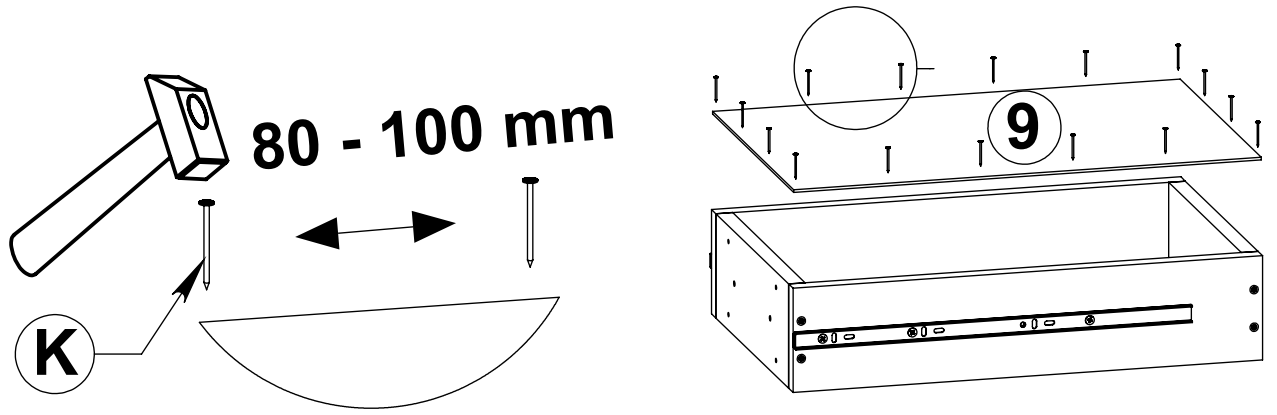


B

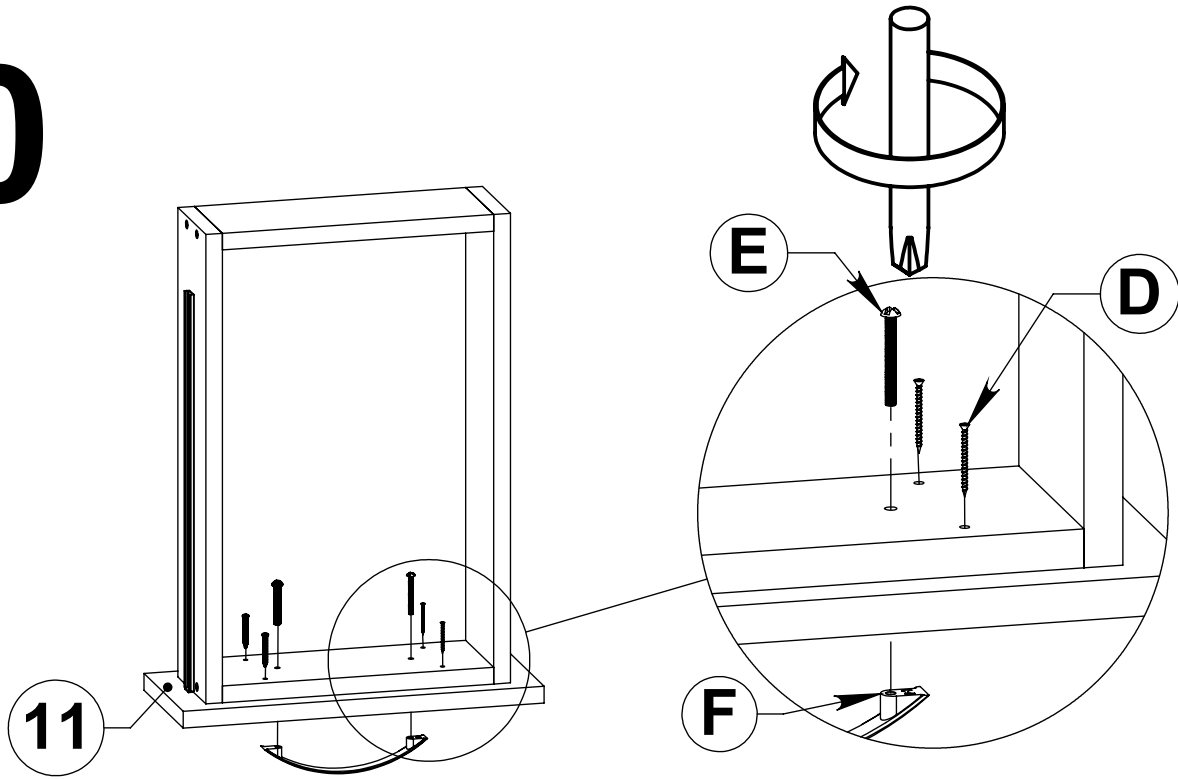




9



10



11

